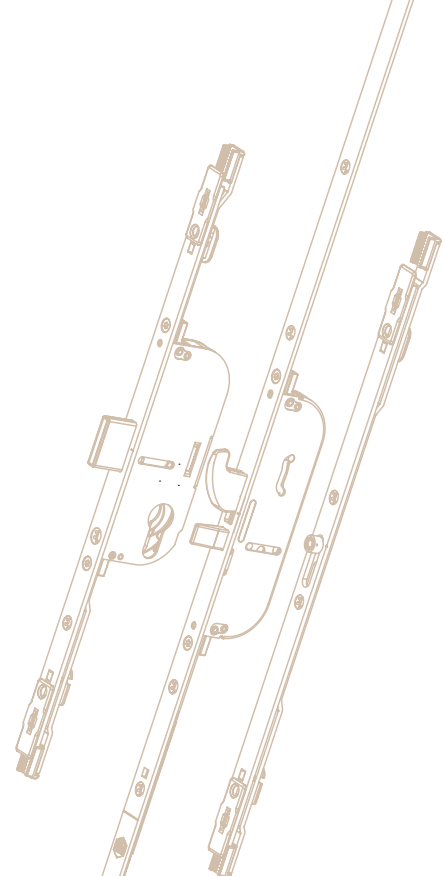


TECHNOLOGY IN MOTION



MACO PROTECT

DOOR LOCKS



Are you stocking too many different styles of locks?

PROTECT MODULE

**MACO
PROTECT**



Different styles of doors for various heights and varying requirements usually require different types of door locks. Therefore, stocking a wide range of locks takes up a huge amount of space in your warehouse and can cause administration costs to soar.

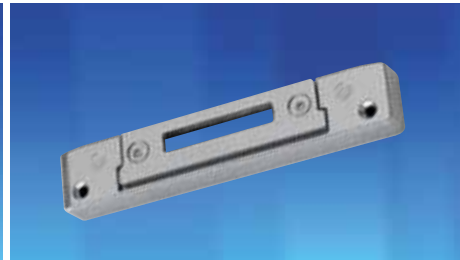
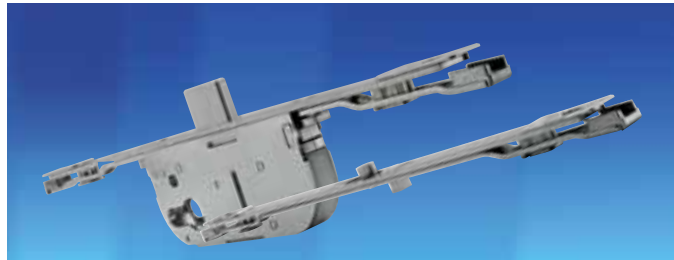


Initial situation!

**MACO
PROTECT**



MACO Protect Module is MACO's innovative answer to many different locking requirements



MACO'S innovative idea

- One single door lock for different door heights
- Application of a modular door lock system
- Uniform routing and lockcase position
- Individual positioning of the top and bottom locking elements

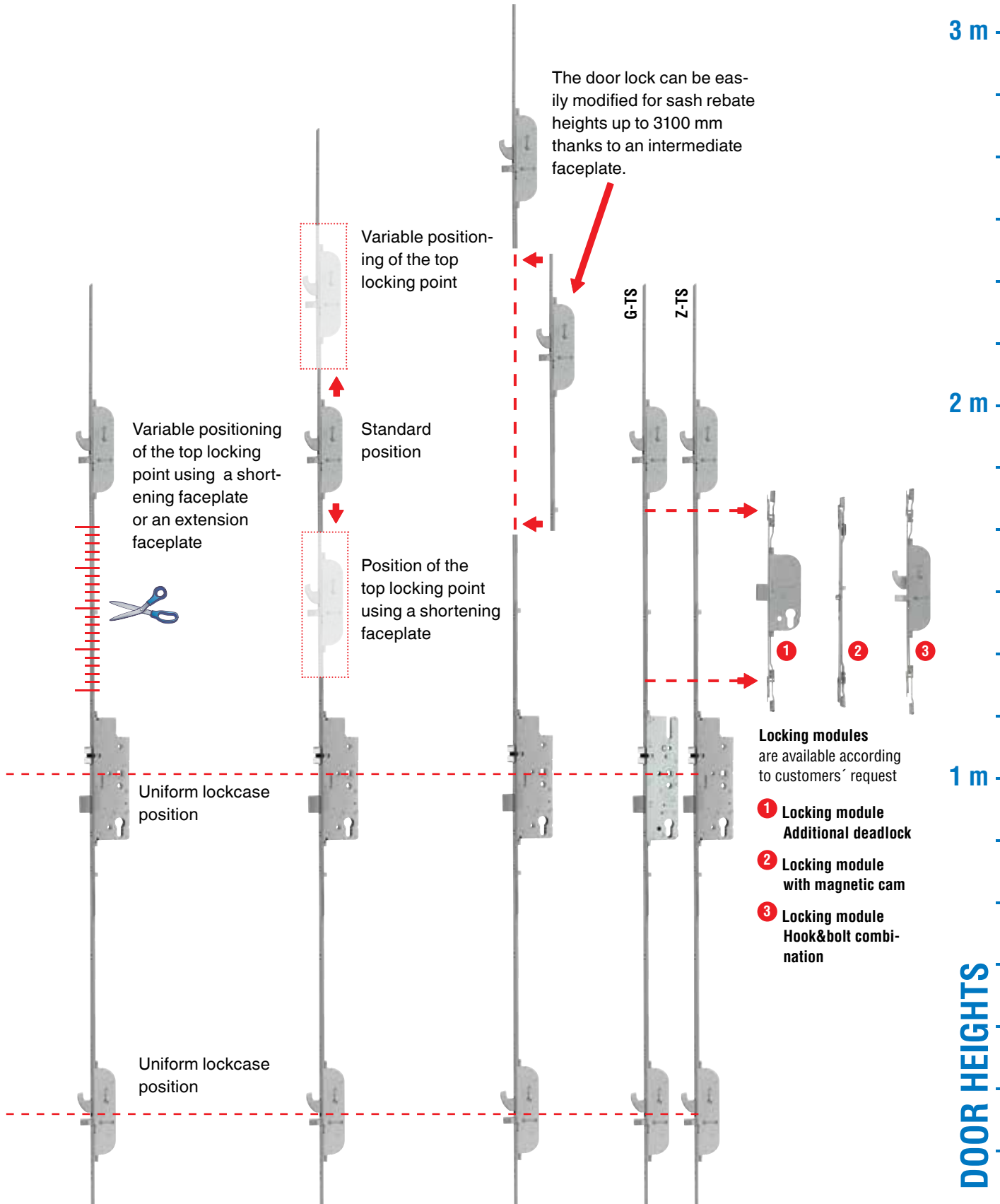
Advantages for door production

- The reduction of parts eases stock holding and cuts production and administration expenses
- Individual requests can be met instantaneously and at a more cost effective rate
- Uniform lockcase position and screw positions allow straightforward installation
- Uniform profile routing
- Existing doors can be upgraded with ease
- Variable position of the top lockcase
- High flexibility thanks to faceplate modules
 - Hook&bolt combination
 - Additional lock
 - Magnetic cam interlock
 - Door restrictor
- Door sizes from 1.6m up to 3.1m can be easily configured
- Locking monitoring systems can be easily upgraded
- Old doors can be easily upgraded with Maco Protect Module



3.1m

The modular door lock system PROTECT MODULE





Highly flexible



Standard version door lock Z-TS/G-TS Module

- 1 Door lock with locking bolts
- 2 Door lock with locking hooks
- 3 Door lock with hook&bolt combination

Standard modules for variable door heights

The door lock seamlessly adapts to different door heights thanks to the shortening faceplate, extension faceplate or intermediate faceplate.

- 4 With shortening faceplate:
min. FFH 1600 mm
- 5 With extension faceplate:
max. SRH 2650 mm
- 6 Additional height extension is possible
using the intermediate faceplate:
max. SRH 3100 mm





Different types of locking modules



High flexibility thanks to faceplate modules



Locking module: Hook&bolt combination

- Uniform lockcase length
- Hook protrudes 11 mm into the striker plate
- Uniform screw positions
- No individual strikers required for hooks or bolts; the combination striker is all you need.



Locking module Additional deadlock

- Lockable via its own profile cylinder
- Same striker plate as used in hook&bolt combination
- Deadbolt locks a 20 mm throw with one key turn



Locking module with magnetic cam for alarm systems

- Easily retrofitted for locking monitoring systems



Faceplate module for door restrictor

- Additional security in the door
- Door can be opened safely to leave a gap
- Can be deactivated from the outside via profile cylinder



Striker plate range for Protect modules



Single striker plates that meet all requirements

The Protect Module combination striker plate is an additional technical improvement.

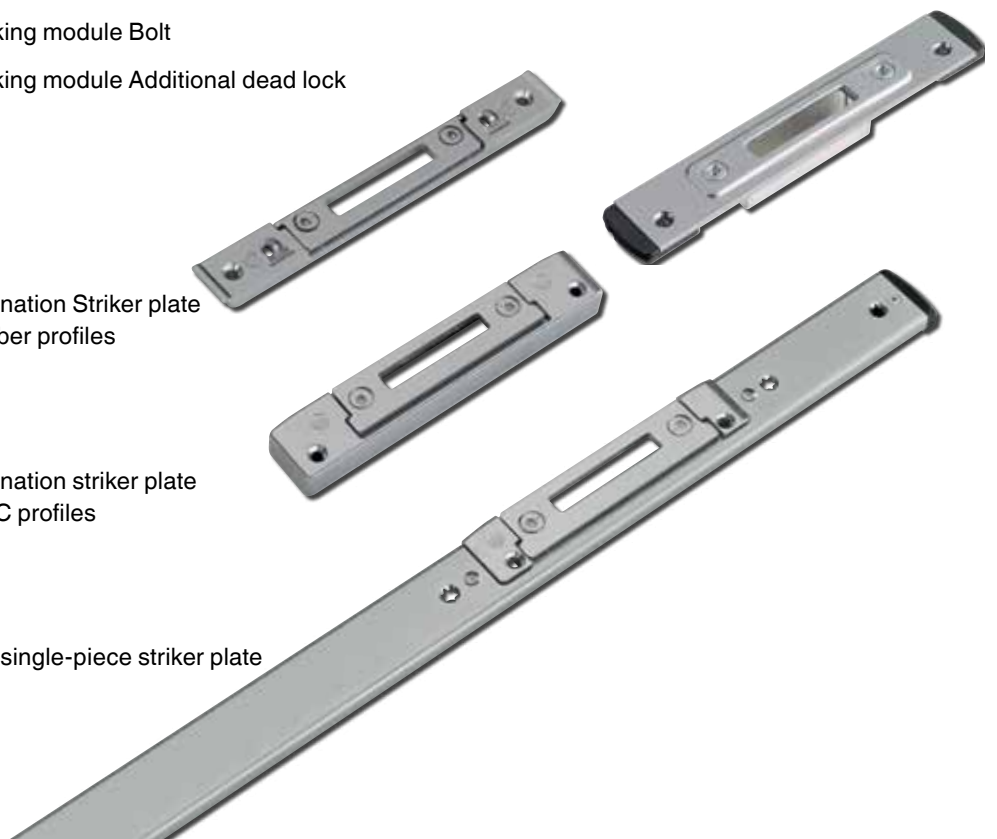
Only one single striker plate is necessary for the following locking options:

- Locking module Hook&bolt combination
- Locking module Hook
- Locking module Bolt
- Locking module Additional dead lock

Combination Striker plate
for timber profiles

Combination striker plate
for PVC profiles

UPVC single-piece striker plate



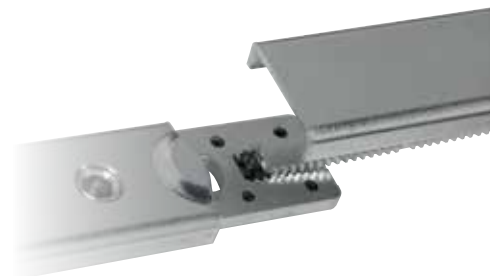
**MACO
PROTECT**



MACO-MODUL completely

Solutions for U faceplate doors

The full range of PROTECT MODULE options is available as 6/24/6 U-faceplate designs.



Modular single-piece striker plate

- The single-piece striker plate for PVC profiles expands and shrinks to fit your application.



Modular French casement drive gear

- For high double doors
- Variable height
- Additional striker plate positions




MAYER & CO BESCHLÄGE GMBH

ALPENSTRASSE 173
A-5020 SALZBURG
TEL +43 662 6196-0
FAX +43 662 6196-1449
maco@maco.at
www.maco.at

MACO DOOR & WINDOW HARDWARE (U.K.) LTD

EUROLINK INDUSTRIAL CENTRE
CASTLE ROAD, SITTINGBOURNE
KENT ME10 3LY
TEL: +44 1795 433900
FAX: +44 1795 433902
enquiry@macouk.net
www.macouk.net

 Scan for more Info

