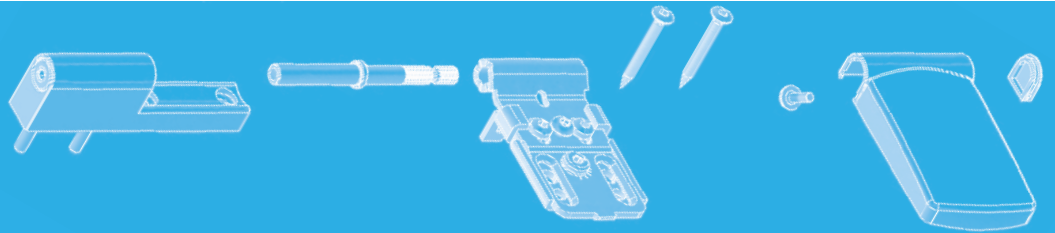
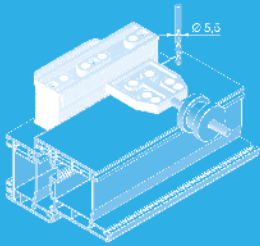


TECHNOLOGY IN MOTION



MACO PRO-DOOR

DOOR HINGES



PRO-DOOR flag hinge T120 PVC
with rebate edge screw fixings



PRO-DOOR flag hinge T120 PVC with rebate screw fixings

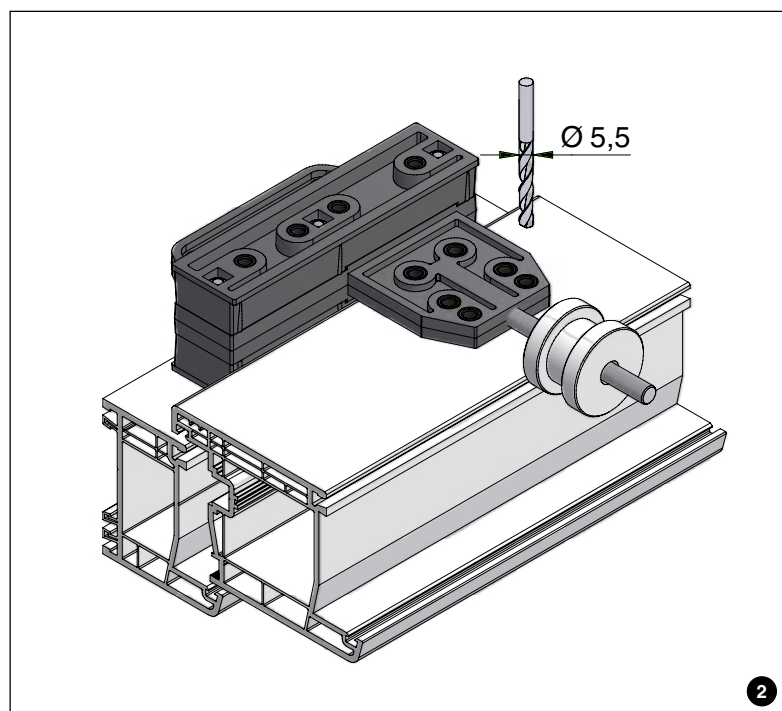
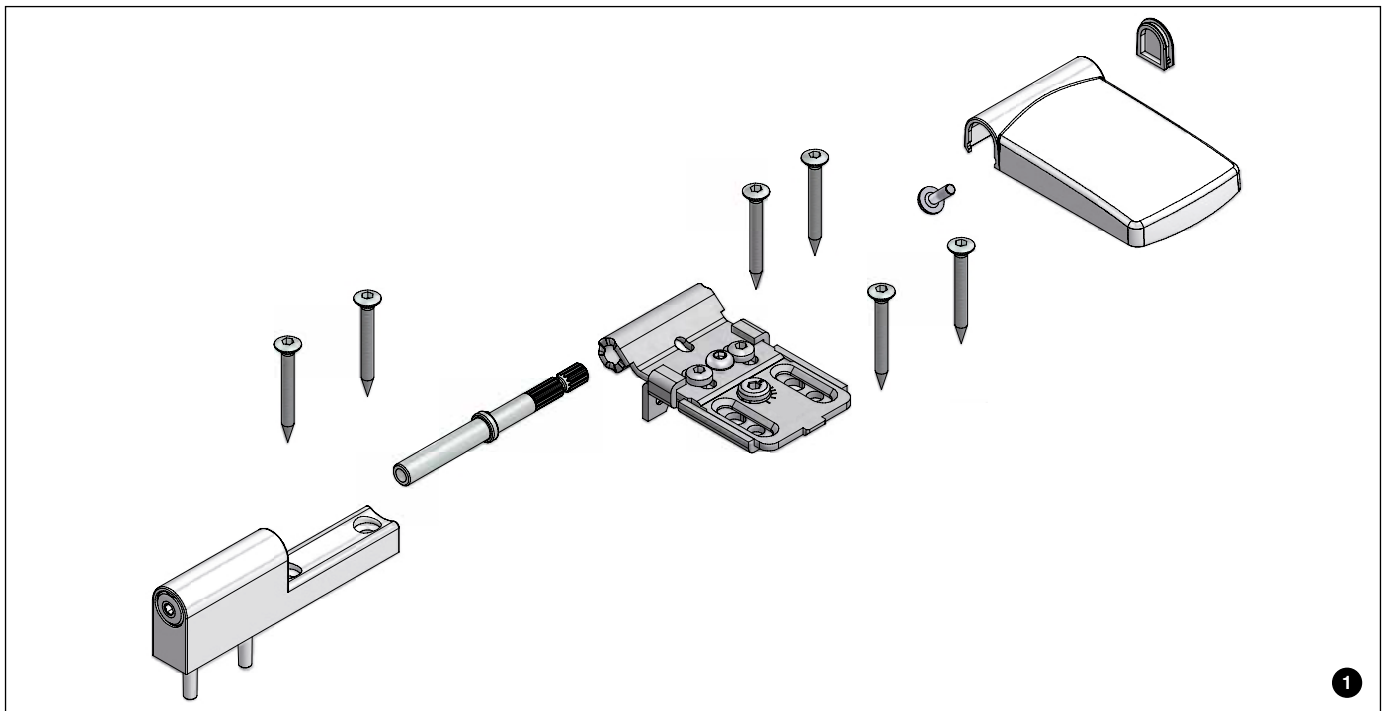


*Gold and Chrome look
(not suitable for outward opening
doors)*

Quick mounting - easy adjustment

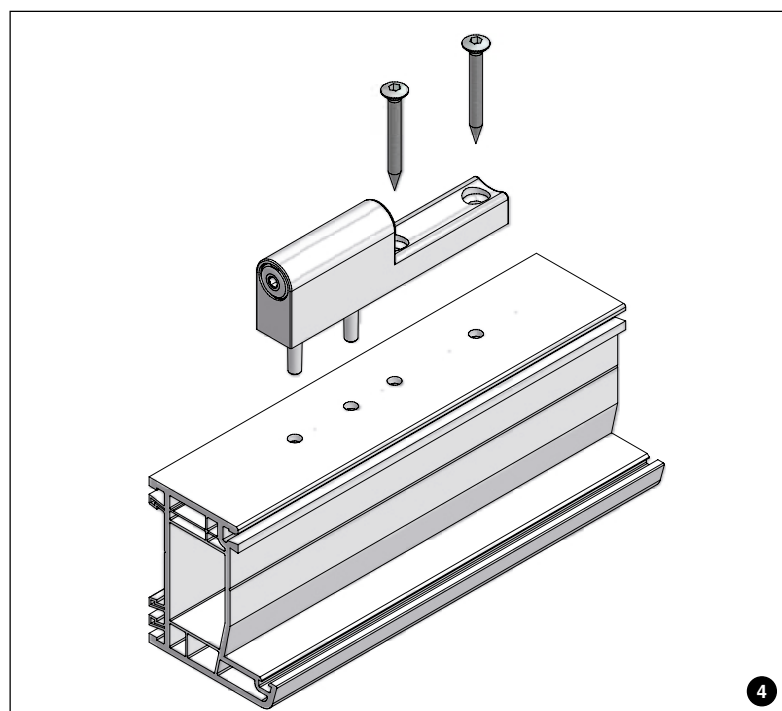
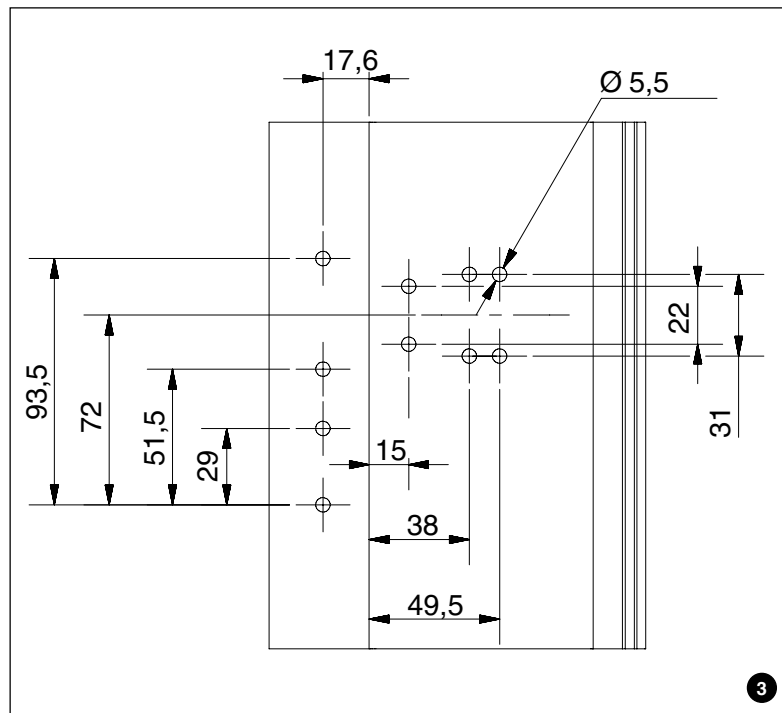
- The bearing bush is made out of a special type of plastic with extremely high resistance to creep pressure. This prevents door sag.
- The patented spindle pin ball bearing is integrated into the bearing bush. This prevents door sag.
- 120 kg door sash load capacity according to DIN EN 1935
- Rebate step height from 16 - 25 mm
- One drill size for all holes
- Large adjustment ranges:
 - laterally adjustment ± 4.5 mm
 - contact pressure ± 1.8 mm
 - height adjustment: + 5 / - 1 mm
- Also available without rebate edge fixing

Installation instructions
PRO-DOOR flag hinge T120 PVC
with rebate edge fixing



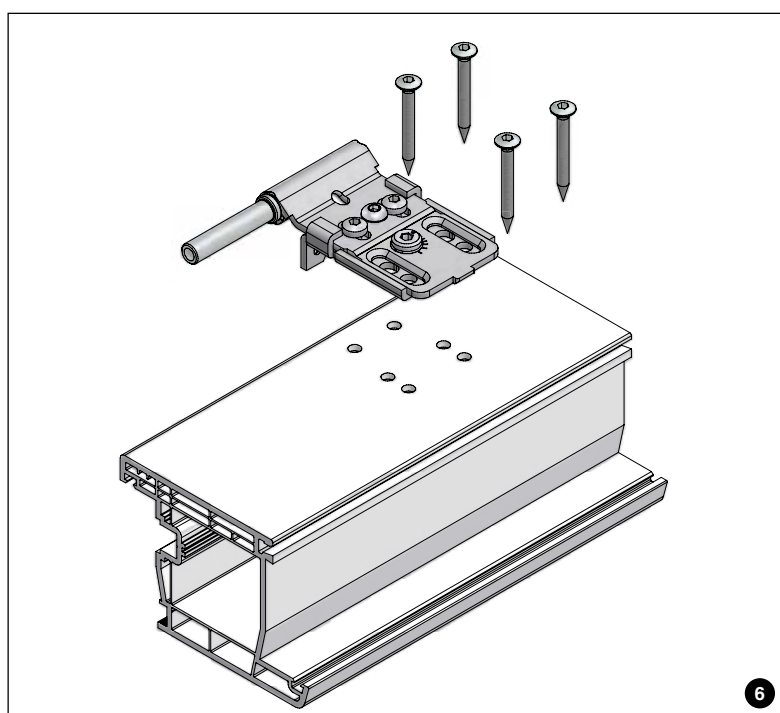
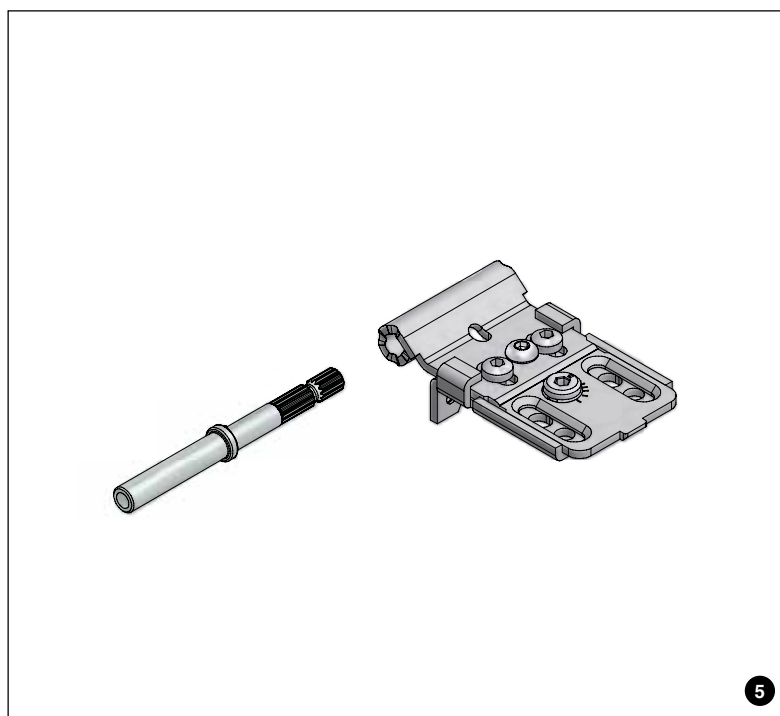


PRO-DOOR flag hinge T120 PVC with rebate edge fixing



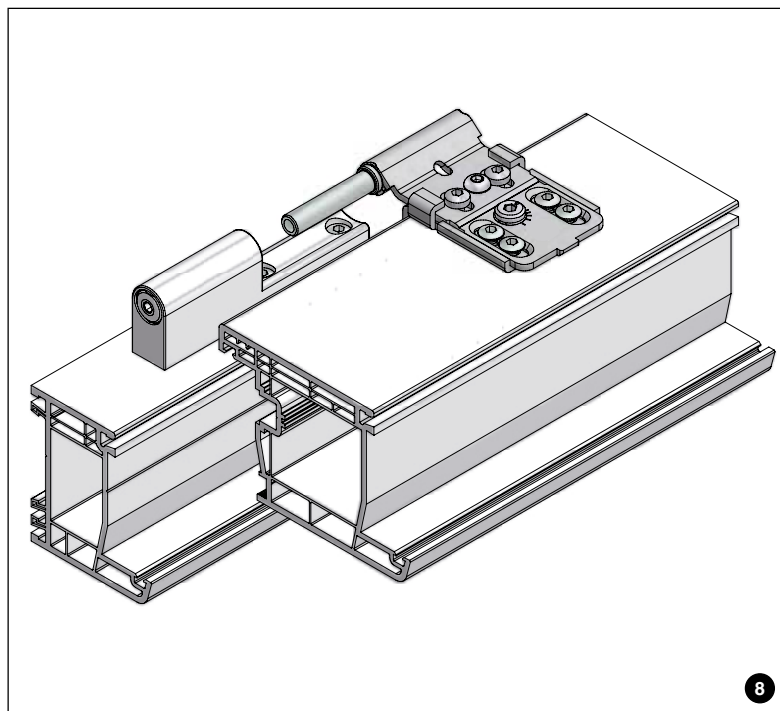
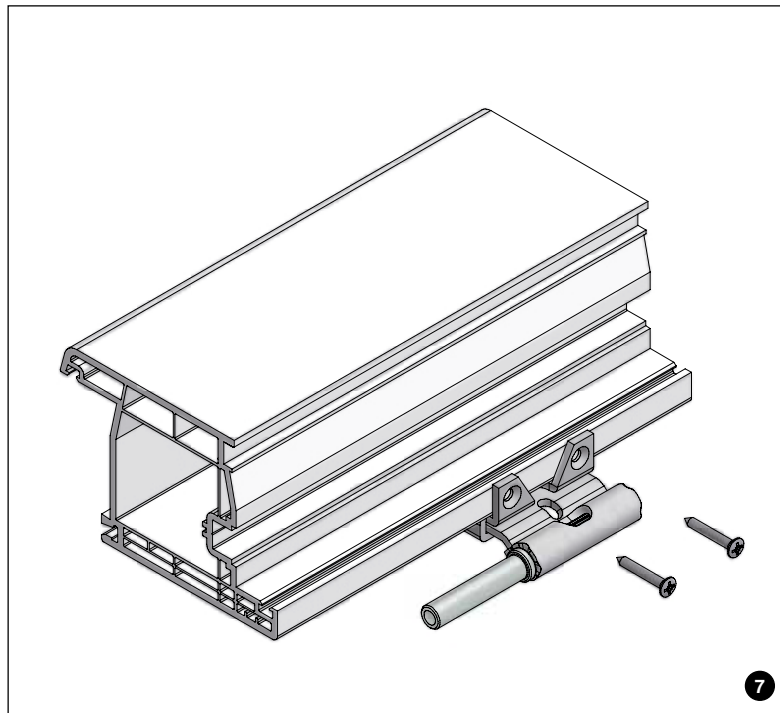


PRO-DOOR flag hinge T120 PVC with rebate edge fixing



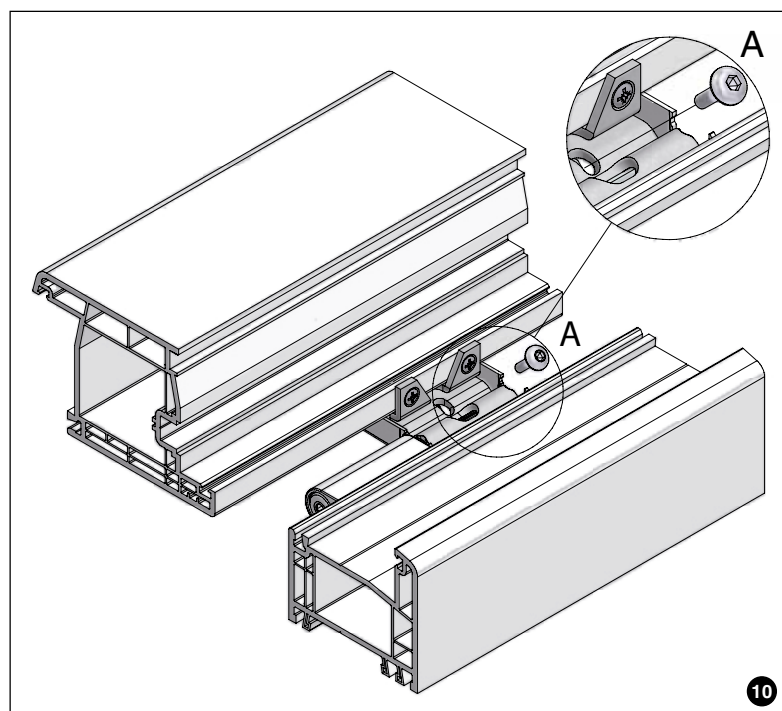
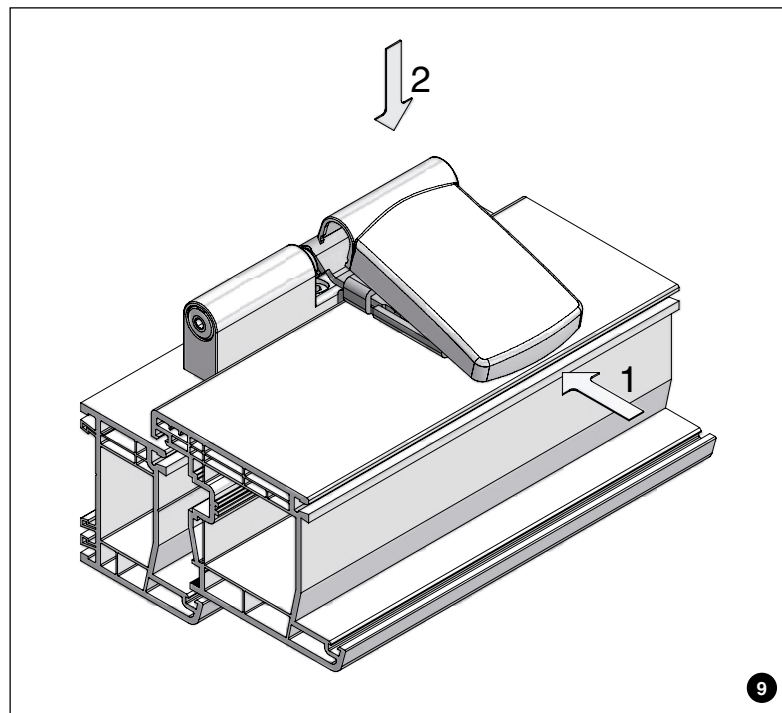


PRO-DOOR flag hinge T120 PVC
with rebate edge fixing



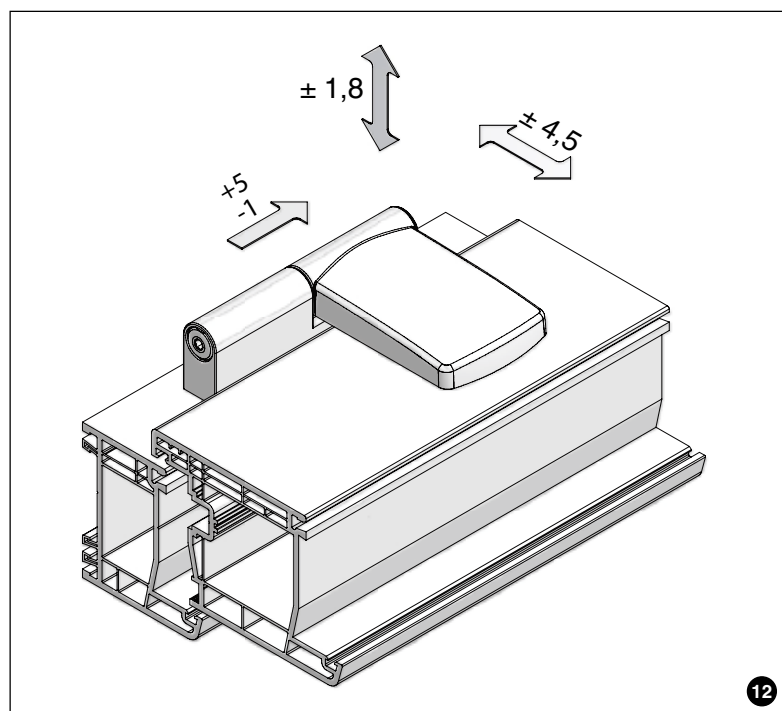
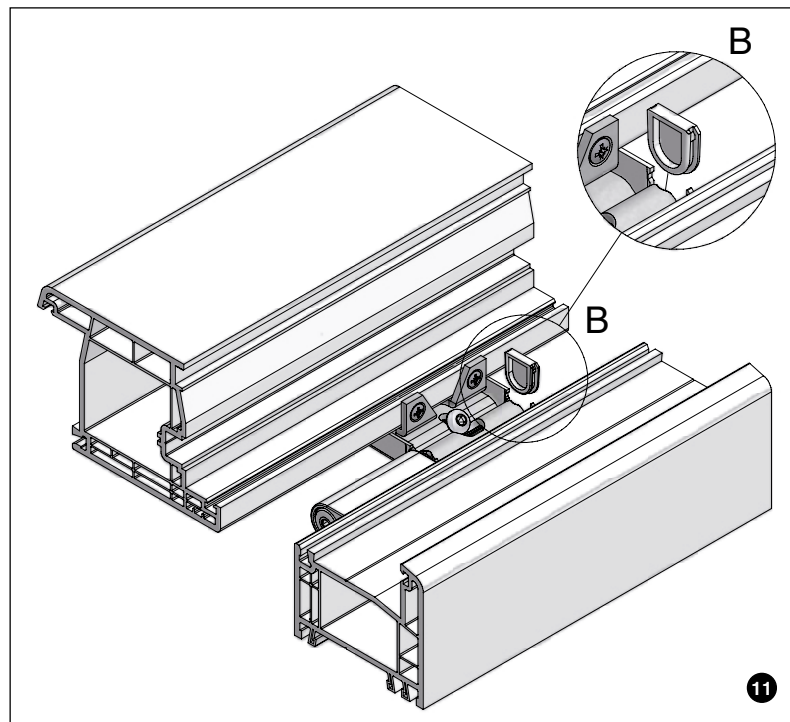


PRO-DOOR flag hinge T120 PVC with rebate edge fixing

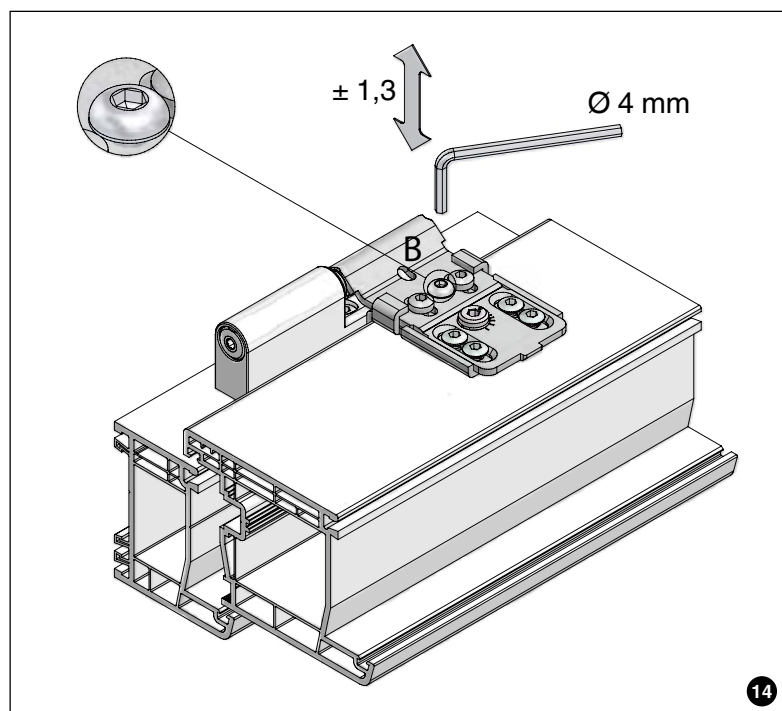
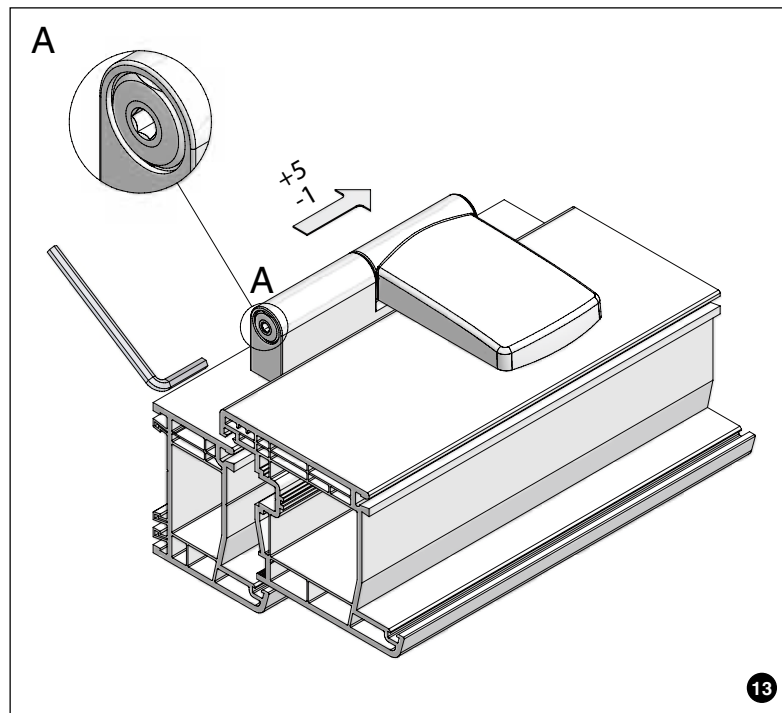




PRO-DOOR flag hinge T120 PVC
with rebate edge fixing

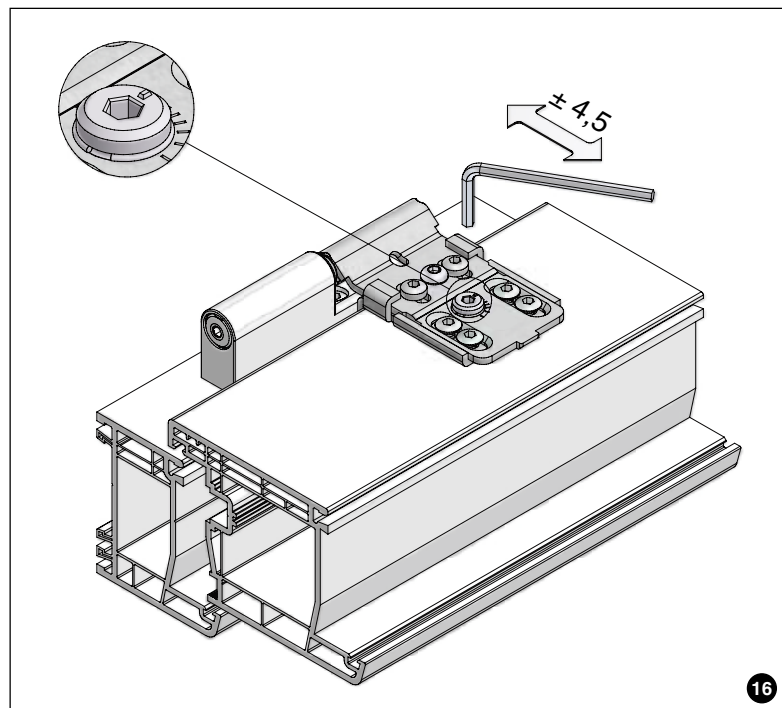
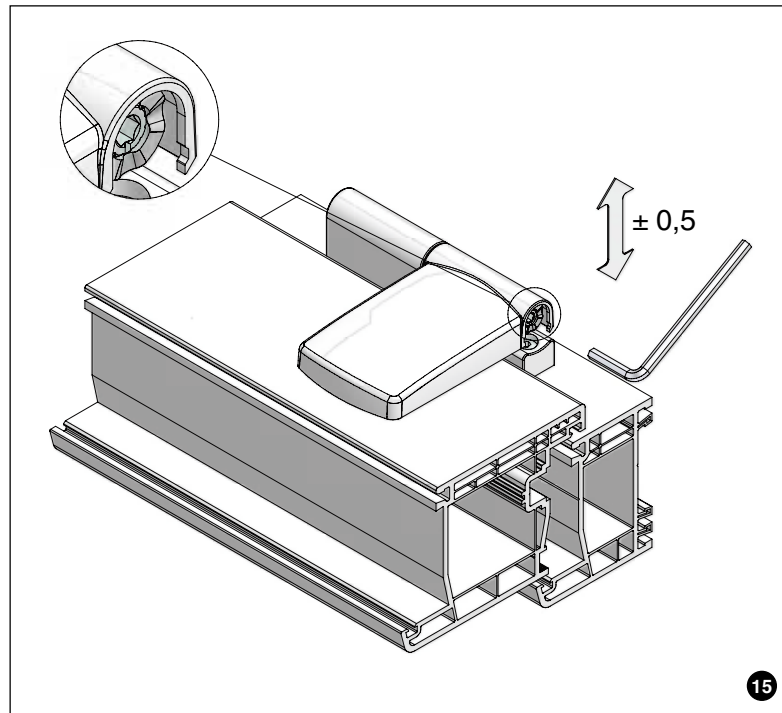


PRO-DOOR flag hinge T120 PVC with rebate edge fixing





PRO-DOOR flag hinge T120 PVC with rebate edge fixing



**MACO
PRO-DOOR**



Notes

A large rectangular area filled with a fine grid pattern, intended for taking notes.

**MACO
PRO-DOOR**



MAYER & CO BESCHLÄGE GMBH
ALPENSTRASSE 173
A-5020 SALZBURG
TEL +43 662 6196-0
FAX +43 662 6196-1449
maco@maco.at
www.maco.at

**MACO DOOR & WINDOW
HARDWARE (U.K.) LTD**
CASTLE ROAD, EUROLINK IND
CENTRE, SITTINGBOURNE,
KENT.ME10 3LY
TEL: +44 1795 433901
FAX: +44 1795 433902
enquiry@macouk.net
www.macouk.net



Order no. 756791_EN – Date: April 2011 -
Date changed: October 2016
All rights reserved and subject to change.