



## The Z-RS cylinder-actuated narrow case lock

**MACO  
PROTECT**  
DOOR LOCKS



### The Z-RS door lock.

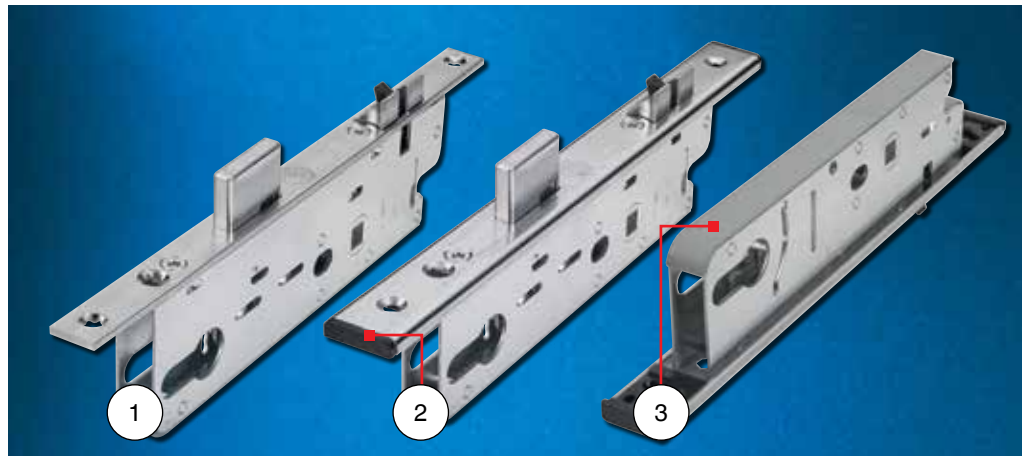
The Z-RS cylinder-actuated narrow case lock from MACO is now available. It has an extremely compact design and permits a deadbolt extension of 20 mm with a backset as small as 25 mm.

### Your benefits at a glance

- Compact design
- Single-turn lock
- Locking bolt secured against counterpressure
- 20 mm deadbolt extension, even for DM 25 mm
- Main-lock casing closed on the top (protection against soiling)
- Tested in accordance with DIN 18251-2 Class 3
- Locking bar as standard (use on the left or right)
- Retrofittable roller latch
- Use existing striker program



## Technical details of the Z-RS



### General technical features

- Use for doors with PVC, aluminium and narrow case profiles
- Main-lock casing available in E92 version with backsets 25, 35 and 45 mm
- Spindle size 8 mm
- The faceplate length is 240 mm
- Available in faceplate widths F-16, F-24 and U faceplate 6 x 24 x 6
- The faceplate is available in silver look or as a Tricoat-Plus coating for highest corrosion resistance
- All metallic components are electrogalvanised
- Further accessories are: Roller latch, cover as protection against soiling at the rear, snap-on ends in the U-faceplate design

- ① **Standard design with 16 mm flat faceplate**
- ② **Lock is version with U-faceplate and optional snap-on ends**
- ③ **Lock with retrofittable cover on the rear**

