

ASSEMBLY INSTRUCTIONS

# RUSTICO

## Frame assembly



Use  
**exclusively for certified specialists!**  
Not for end users!

**Notes:**

Unless otherwise indicated, measurements are made in millimetres and packing units in pieces per carton.

All diagrams are only symbolic.

Further technical documentation can be found in our online catalogue (TOM) at [extranet.maco.eu](http://extranet.maco.eu)

This print document is continuously revised and is available as a download in the current version at [www.maco.eu](http://www.maco.eu).

Printing errors, mistakes and changes are reserved.

Please send suggestions and ideas for improvements to our instructions by email to: [feedback@maco.eu](mailto:feedback@maco.eu).



**ATTENTION!**  
**Safety hazard in case of non-compliance!!!**

## Key

	Reveal depth		Shutter distance through striker pin bracket
	Discharge		Shutter thickness
	Hinge crank		Crank opener total length
	Long hinge total length		Length of operating arm
	Pin distance		Offset
	Minimum pin depth		Distance between shutters
	Pin length		Frame clearance
	Shutter pin holder height		Number of slat supports
	Shutter pin holder width		Distance
	Dowel total length		Hinge size
	Diameter shutter pin socket		Rebate depth
	Locking hook height		Cladding thickness
	Wall distance		Insulation thickness
	Screw distance		Packer thickness
	Fixing bolt total length		



## Table of Contents

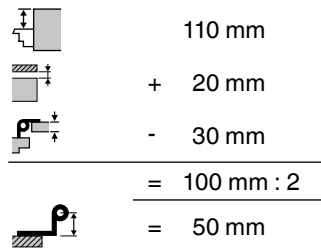
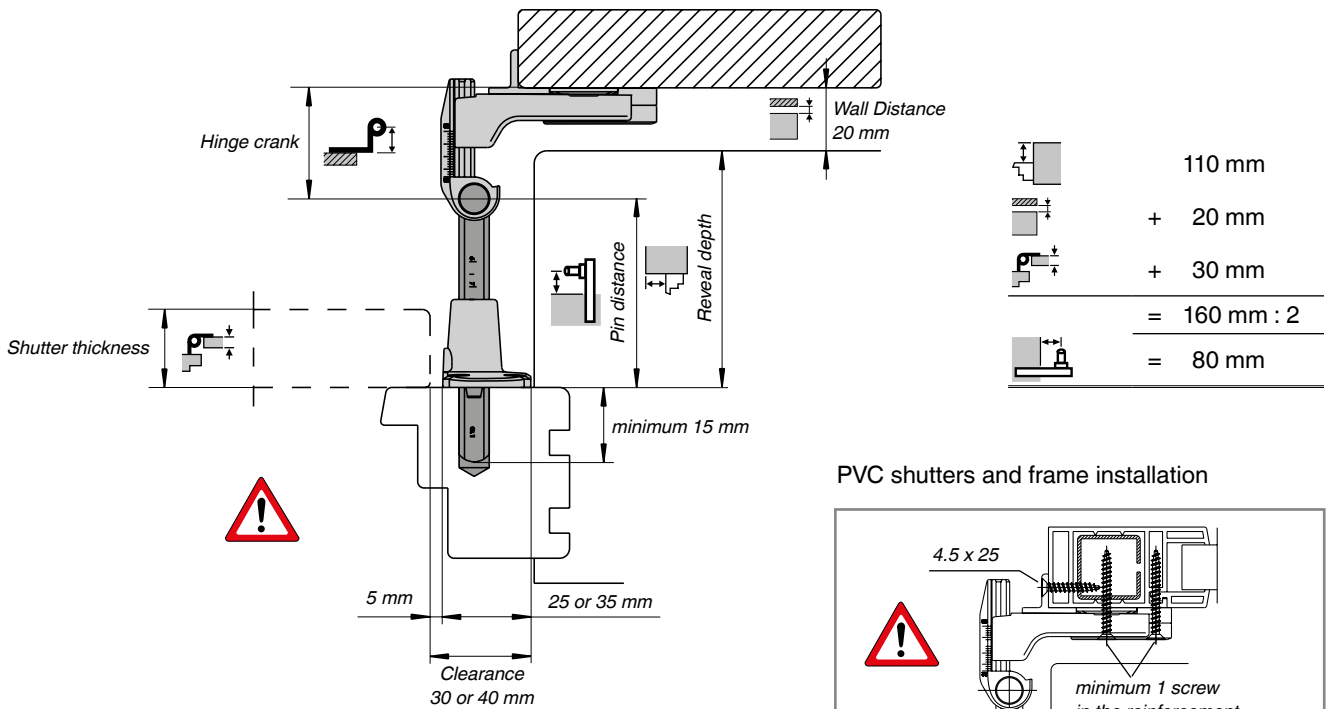
Calculation and assembly	6
Hinge and Clamp Assembly (together)	7
Shutter hinge assembly	8
Fixing clamp / shutter pin assembly	9 - 10
Jig for separate rebate - Order No. 27958	9
Setting options	10
Classic shutter catch assembly	11
Comfort shutter catch assembly	12
for window shutters	12
for door shutters	12
Shutter catch for doors assembly	13
Fixing bolt	14 - 15
Snap holder assembly	16 - 19
Proper use	16
Scope and Notes	16 - 17
Assembly positions	17
Assembly examples for Timber/PVC frames	18
Settings	19
Crank opener assembly	20 - 24
Proper use	20
Application area and notes	20 - 21
Mounting position	21
Space requirements and drilling	22
Calculation examples of the crank opener sizes	23 - 24
Jigs	25 - 27
For joint rebate with swivel arm - No. 205649	25
For joint rebate with hinge - No. 102888	26
For separate rebate with swivel arm or hinge - No. 102889	27
Folding shutter rods	28
Shutter locks	29 - 30
Centre lock single-sash	29
Centre lock double-sash	29 - 30



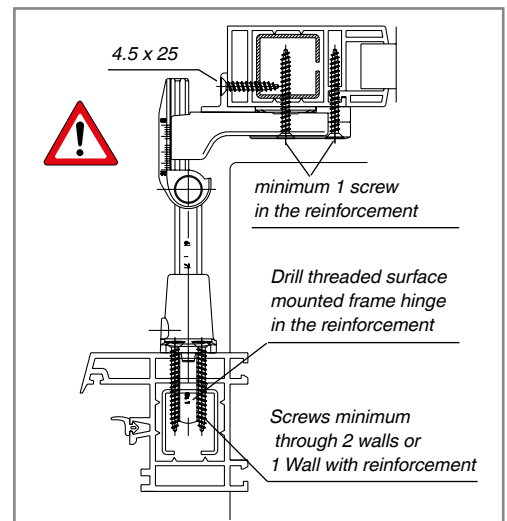


<b>Multi-point locking rod</b>	<b>30 - 32</b>
Shutter lock 1-sash	30
Shutter lock 2-sash	30 - 31
Snap lock	31
Striker pin brackets	32
<b>Folding shutters</b>	<b>33 - 34</b>
with external pivot point	33
with internal pivot point	34
<b>Shutter suspending run-up block</b>	<b>35</b>

## Calculation and assembly

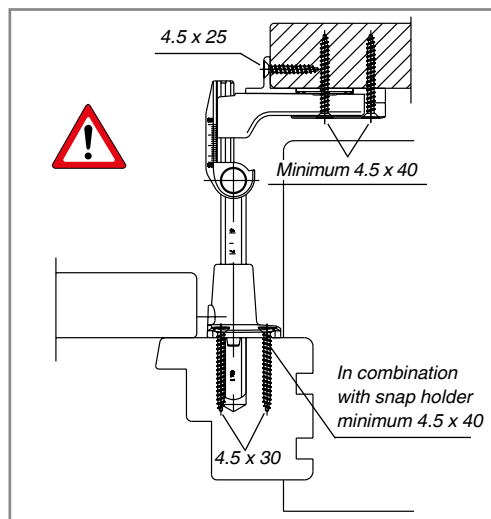


### PVC shutters and frame installation

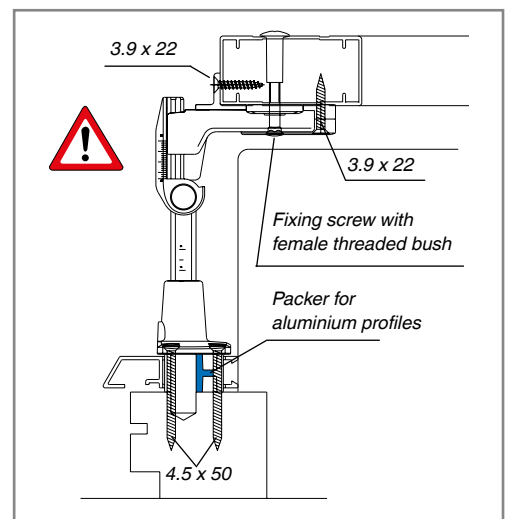


### Fixing:

#### Timber shutters and frames installation



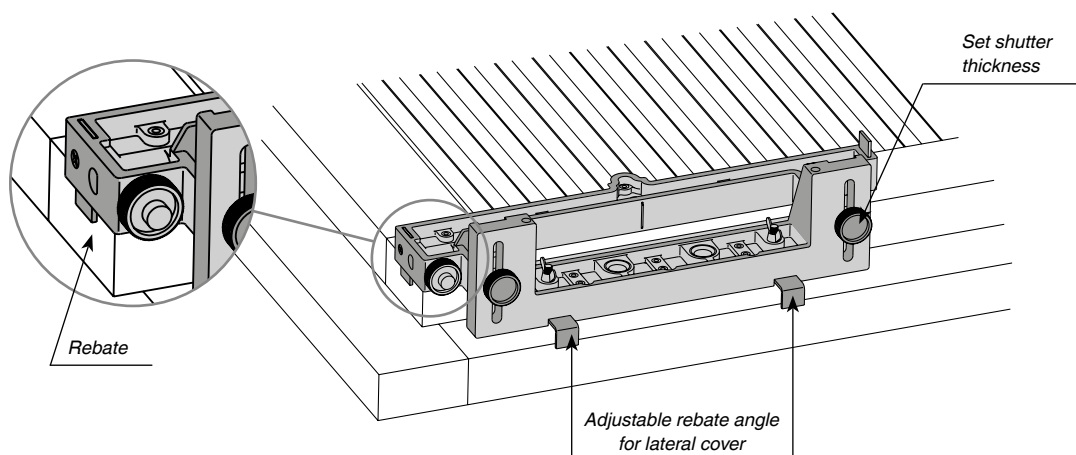
#### Aluminium shutters and frames



## Hinge and Clamp Assembly (together)

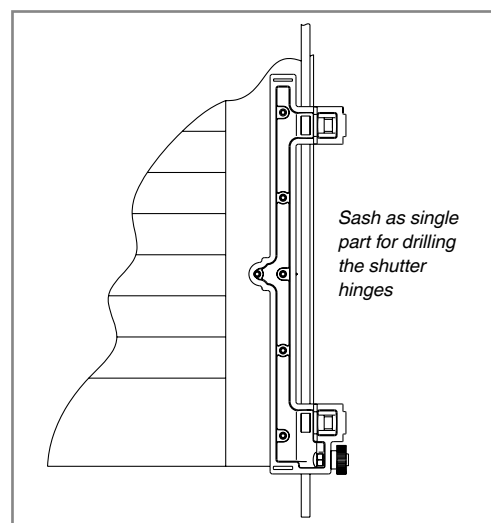
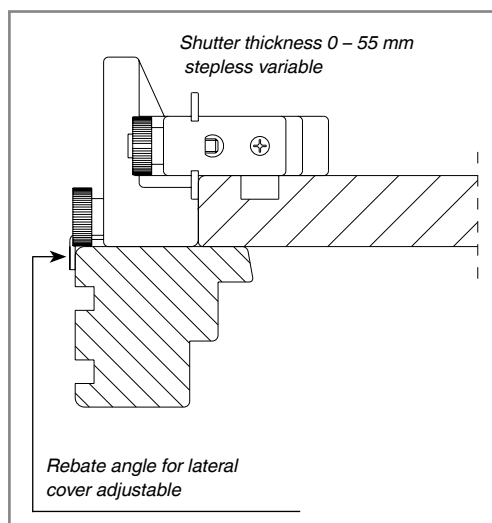
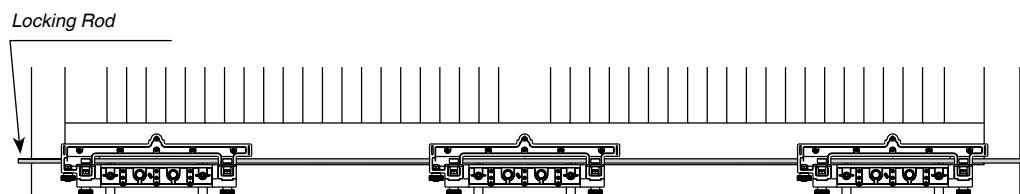
Jig for joint rebate - Order No. 27960

Shutters and frame installation can be drilled in one operation.



### Shutter hinges

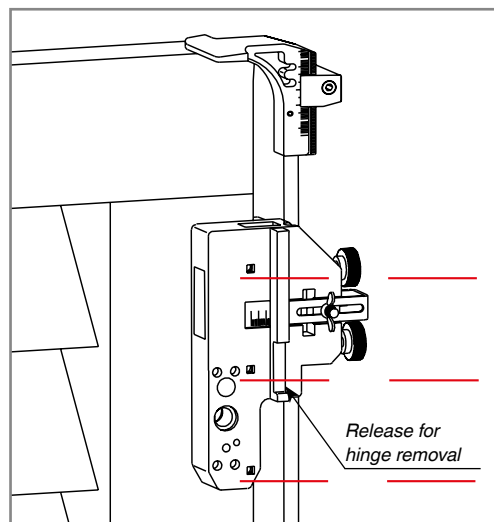
500 – 1600	2 Hinges
1600 – 2100	3 Hinges
2100 – 2600	4 Hinges



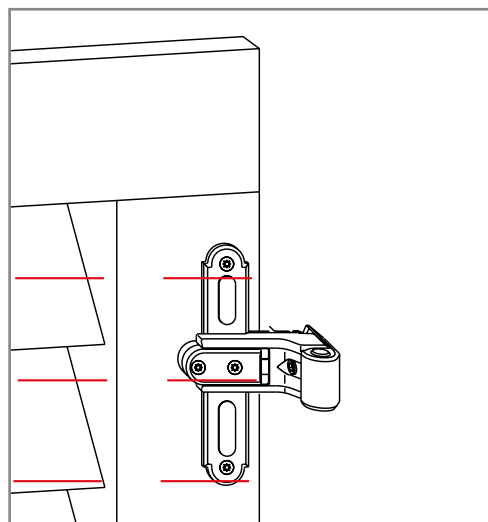
# Shutter hinge assembly

Jig for separate rebate - Order No. 27958

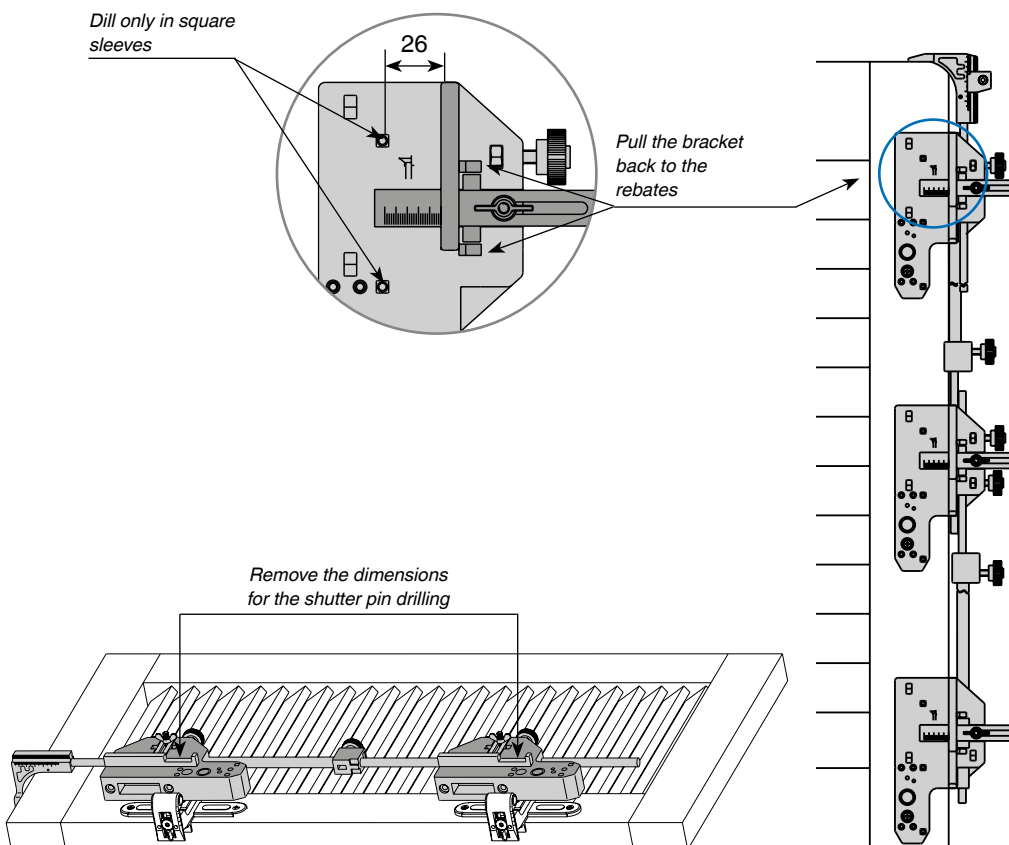
Rebate on shutters



Hinge assembly on shutters



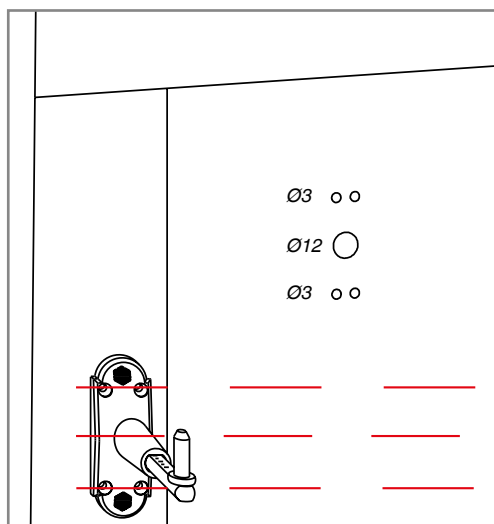
Position on the shutter



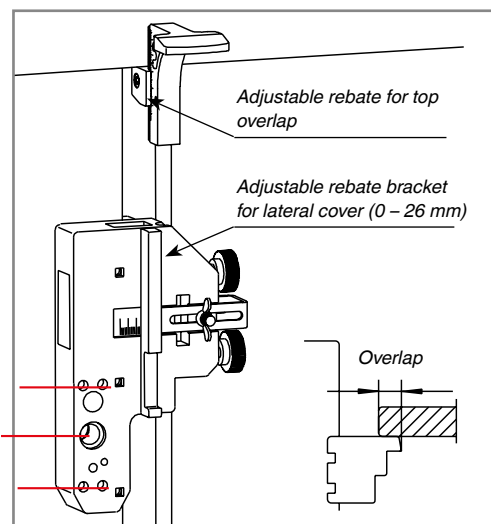
# Fixing clamp / shutter pin assembly

Jig for separate rebate - Order No. 27958

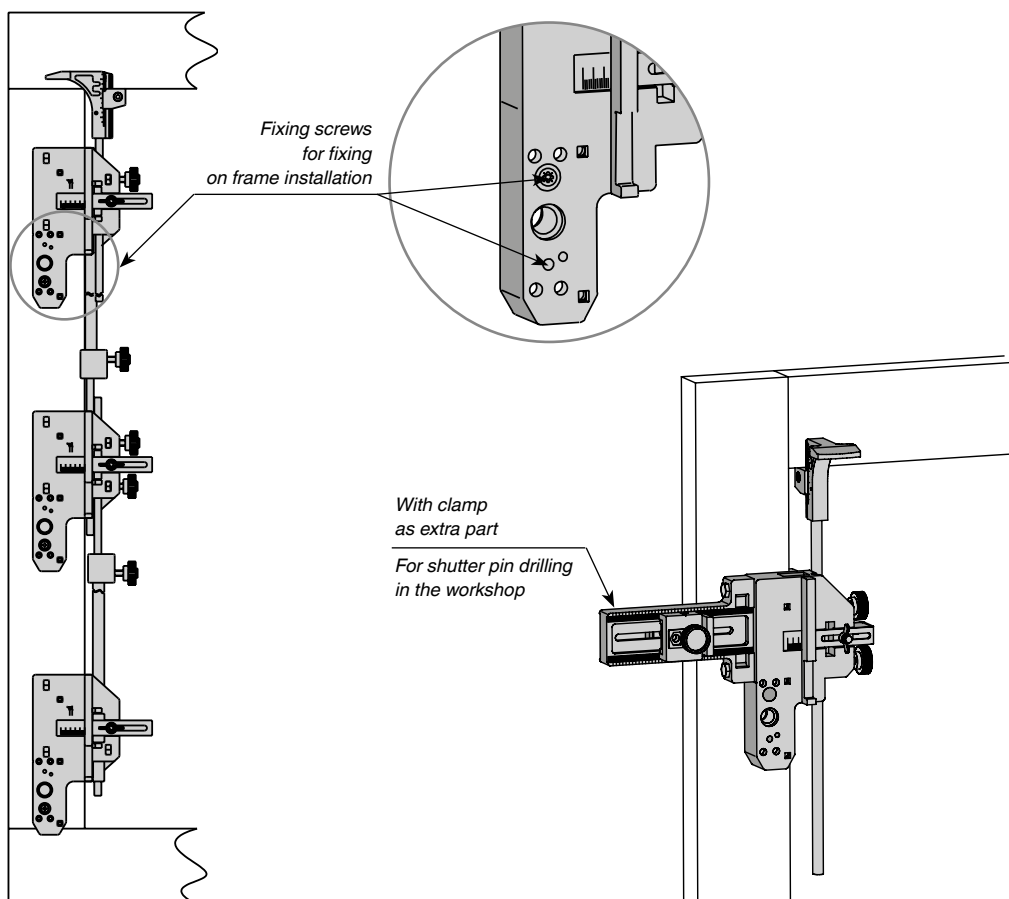
Shutter pin holder assembly on frame installation



Jig bracket on frame installation

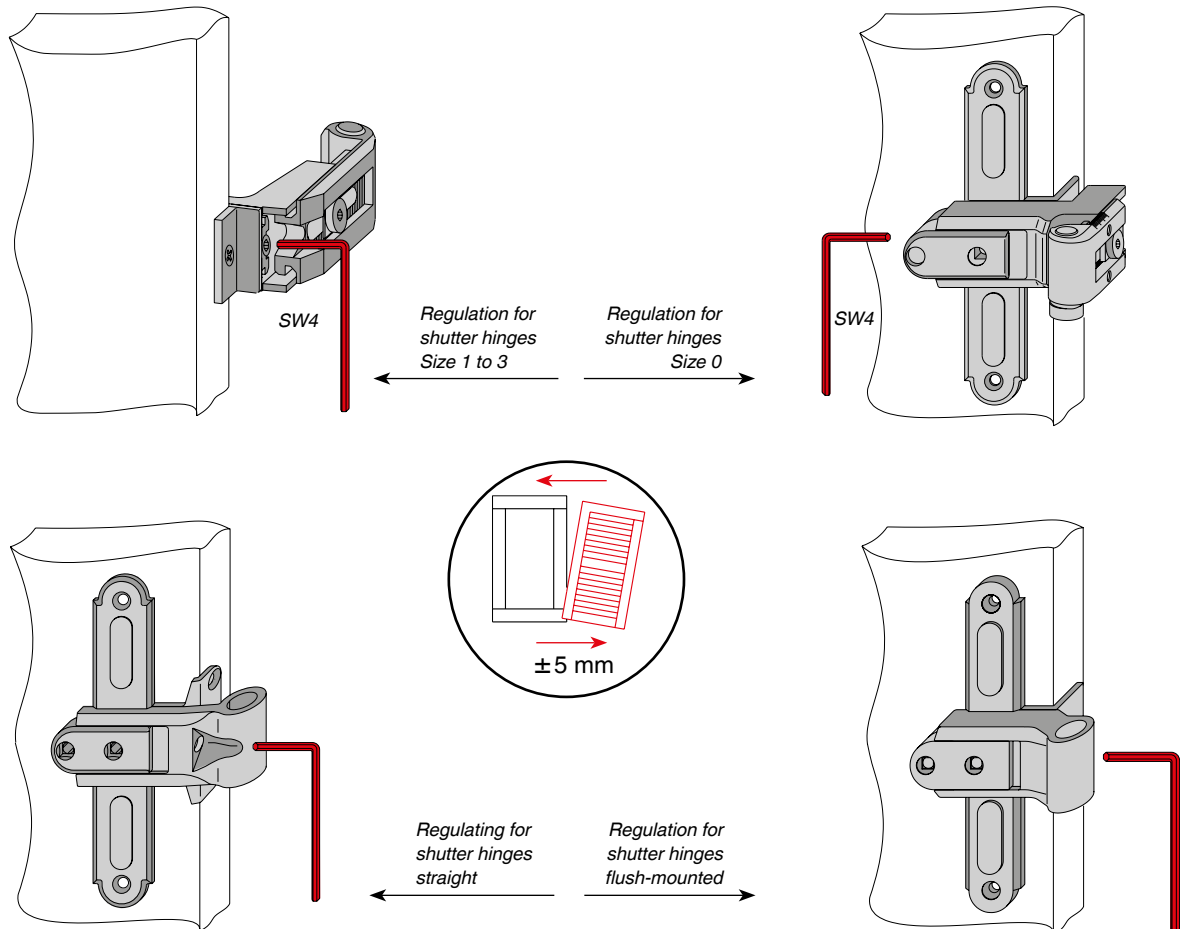


Position on frame installation

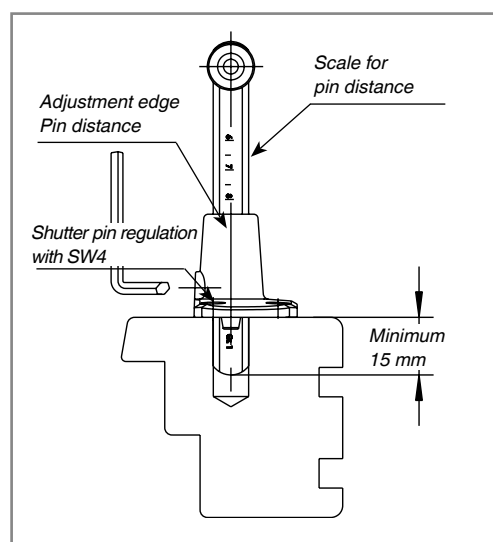


## Setting options

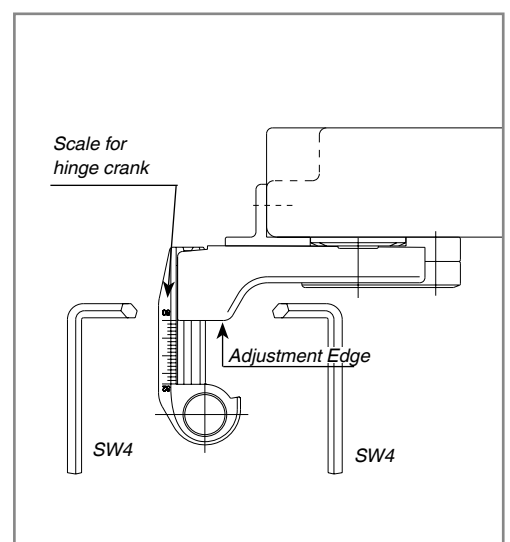
### Lateral adjustment



### Pin distance



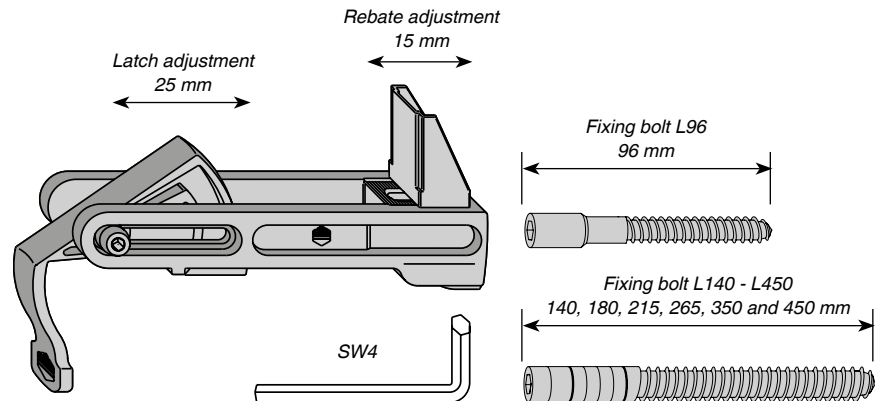
### Hinge crank



## Classic shutter catch assembly

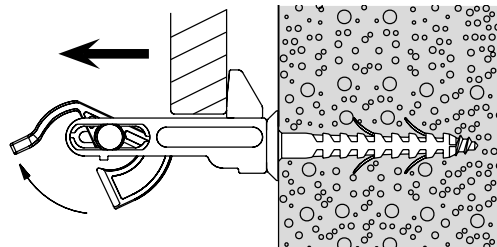
### Fixing bolt

with L96                     $\varnothing$  10 mm    For dowels  
with L140 - L450         $\varnothing$  14 mm

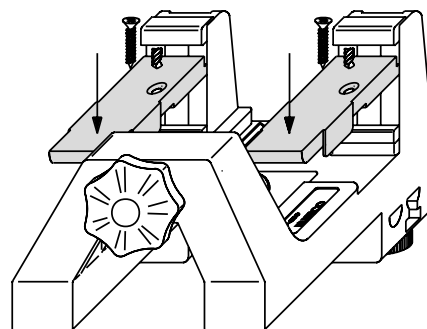
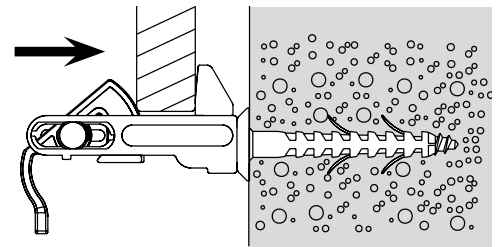


### Function

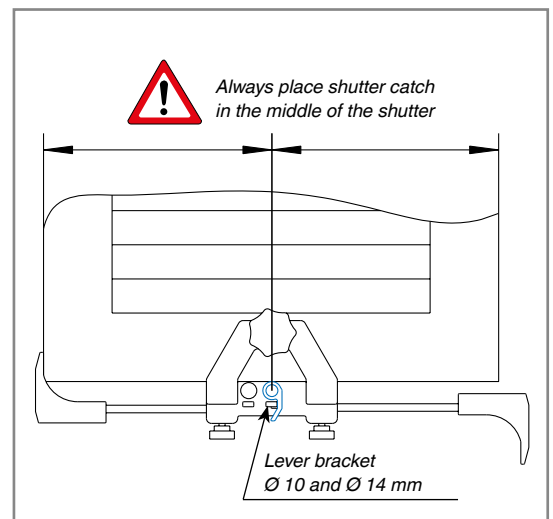
Closing the shutter – raise the latch until it clicks into place.



Opening the shutter – latch automatically snaps into place.

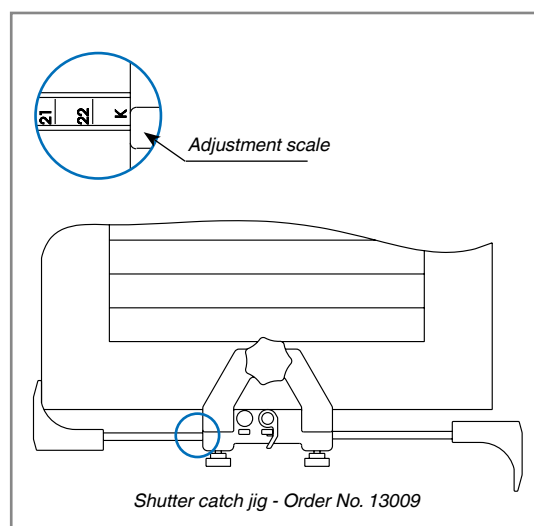
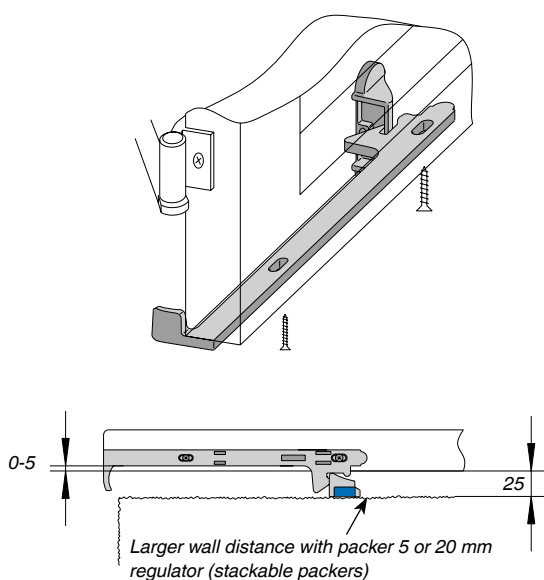


Drilling jig for shutter catch 13009 is equipped with regulator setting blocks 14483. Old jigs are to be subsequently added to.

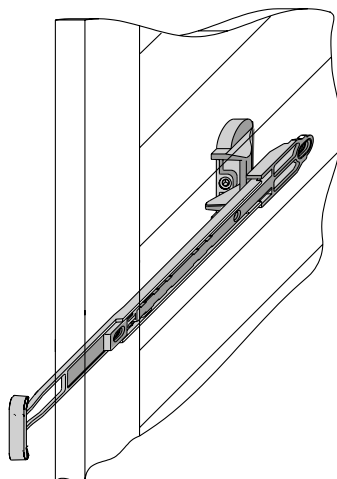
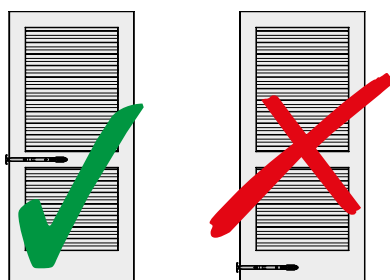


## Comfort shutter catch assembly

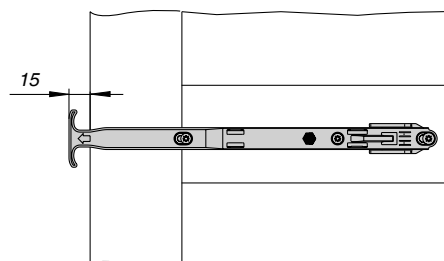
for window shutters



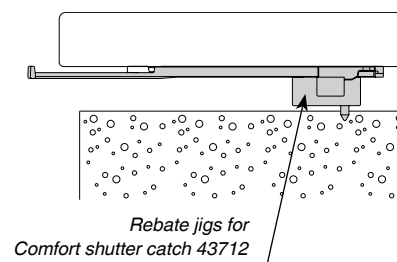
for door shutters



Rebate on the shutter:

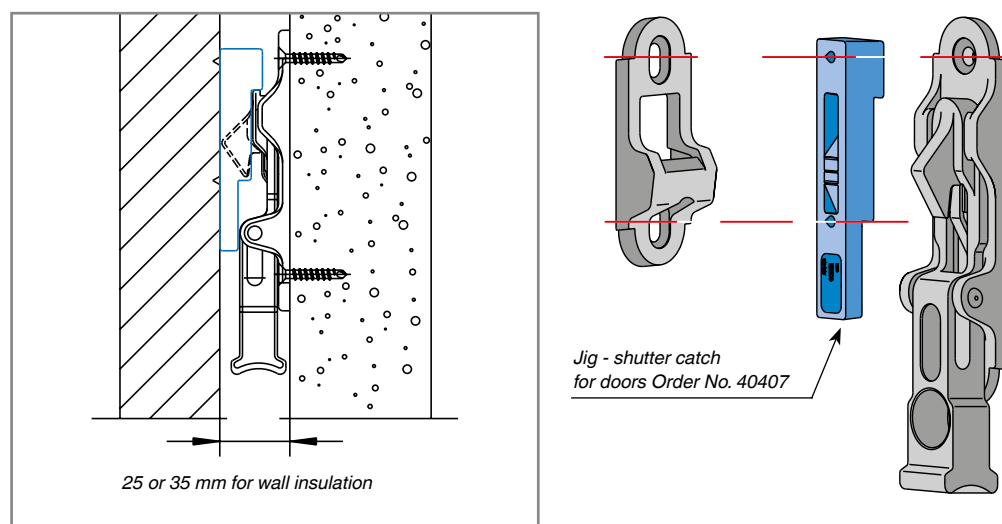


Rebate on the wall:





## Shutter catch for doors assembly

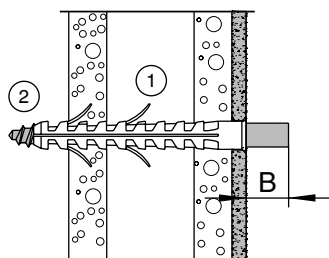


Larger wall distances with packer 15 mm regulator (stackable packers).

## Fixing bolts for shutter catches

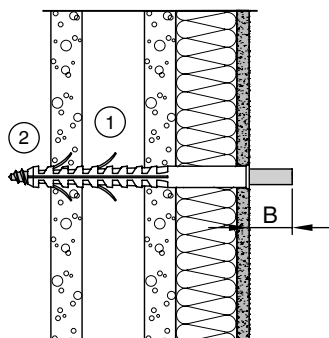
Without wall insulation

Fixing bolts L96 and L140

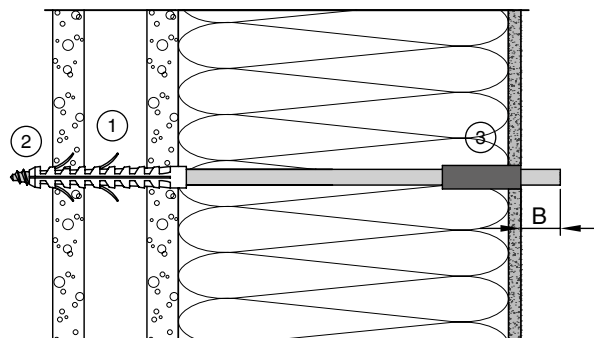


With wall insulation

Fixing bolts L180, L215 and L265



Fixing bolts L350 and L450



*B = fixing bolt distance*

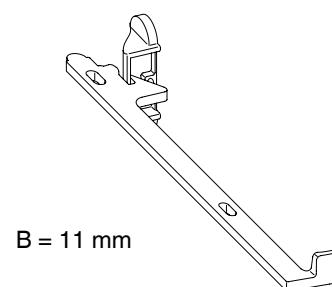
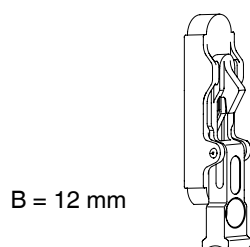
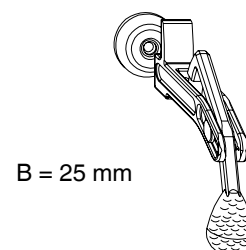
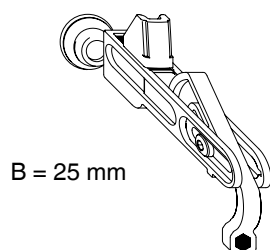
- ① The dowel must reach through at least two brick walls. It must be ensured that the expansion of the dowel has a vertical effect. Otherwise, there is a danger that the brick will break.
- ② The fixing bolt must be screwed through the dowel.
- ③ When using the fixing bolts L350 and L450, care must be taken to ensure that the enclosed support tube can support correctly in the area of the wall plaster and the wall insulation. For this purpose, the support tube is pushed flush onto the fixing bolt.

Fixing bolts	Insulation	Dowel	Dril Ø	Support tube
L96	0	50	10	–
L140	0	100	14	–
L180	20 - 45	135	14	–
L215	45 - 95	185	14	–
L265	95 - 140	230	14	–
L350	140 - 215	100 (without bundle)	14	Yes
L450	215 - 315	100 (without bundle)	14	Yes

Data in mm

The selection of the correct dowel is decisive for the necessary stability of the fixing bolts.

When using the fixing bolts L350 and L450, the use of the enclosed support tube is absolutely necessary.



## Snap holder assembly



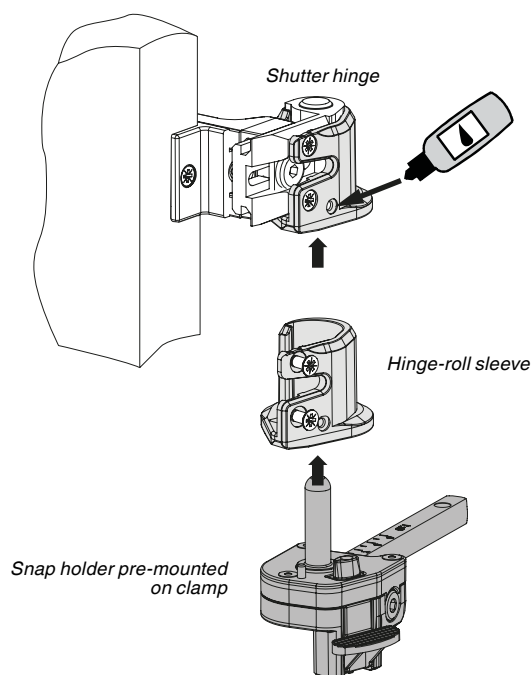
### DANGER!

For the use of the crank opener, please refer to Chapter 1.3 „Wind Resistance“ in the catalogue!

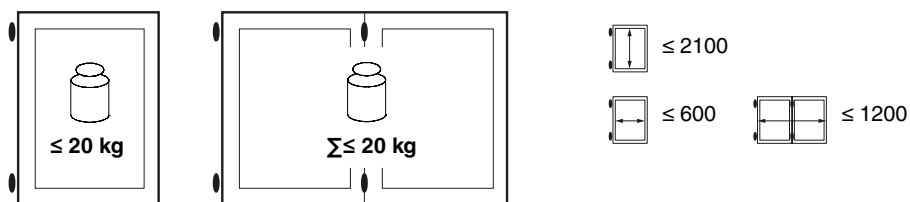
### Proper use

Snap holders allow the self-locking of shutters in the open state. They may only be installed and used for this purpose!

Installation and adjustment of the snap holders may only be carried out by qualified personnel!

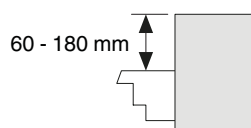


### Application area and application notes

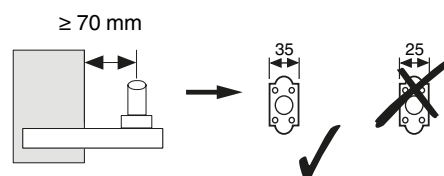
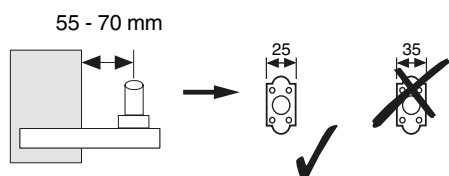
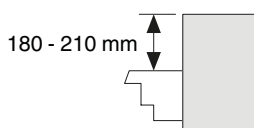


### DANGER!

L90, L110 and L140:



L165:

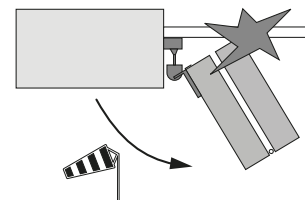
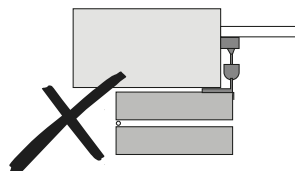
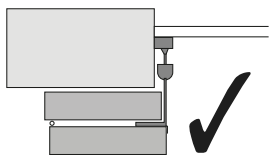


## Application area and application notes



### DANGER!

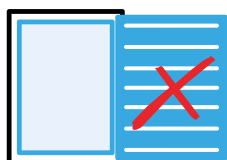
Folding shutters with internal pivot point must not be combined with a snap holder (risk of damage in case of a storm)!



### DANGER!

Snap holders have a limited storm resistance. Do not use in storm-prone areas!

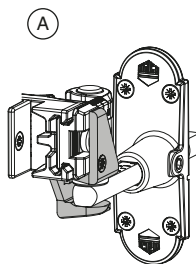
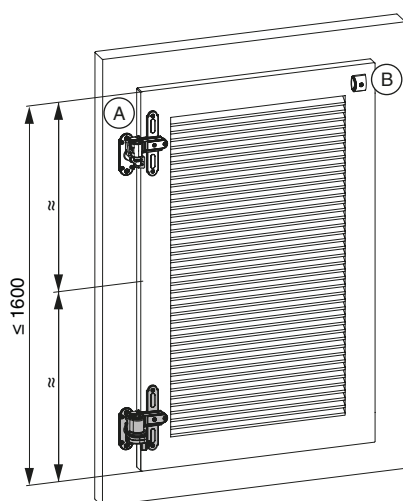
Shutters with snap holders have a limited storm resistance. All notes under Wind Resistance in the catalogue must be observed!



≥ 60 km/h



## Assembly positions



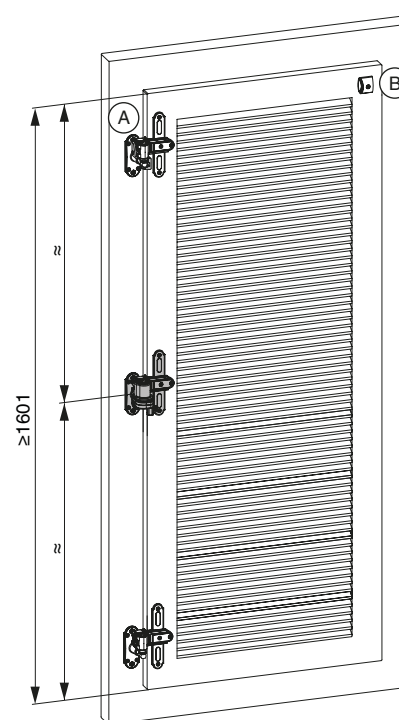
### DANGER!

Per shutter, an anti-jemmy device (A) (Art. Nr. 13327 or 13328) and a rebate buffer (B) (Art. Nr. 42929 or 201313) must be installed!

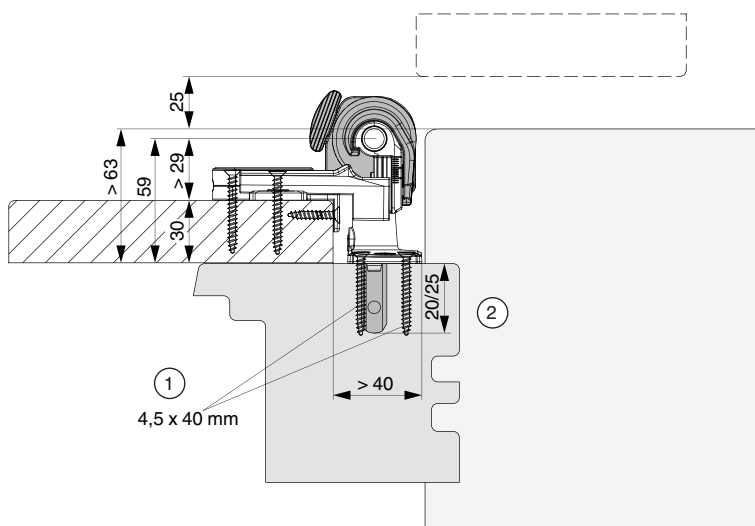


### DANGER!

Snap holder L165 must not be used as a supporting pin!



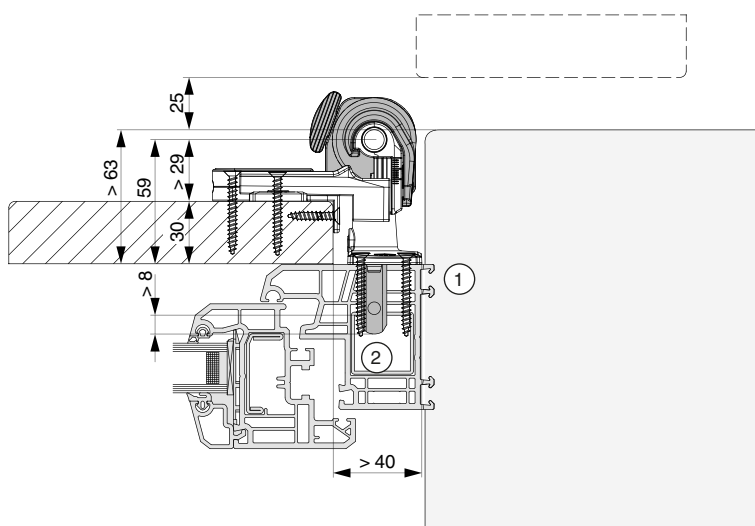
### Timber Frame assembly example



- ① Use screws with minimum 4.5 x 40 mm.
- ② Drill the threaded surface mounted frame hinge into the timber frame.

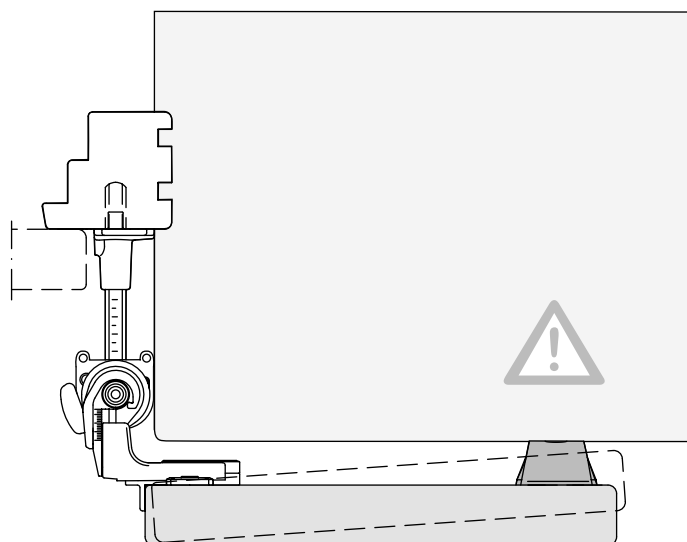
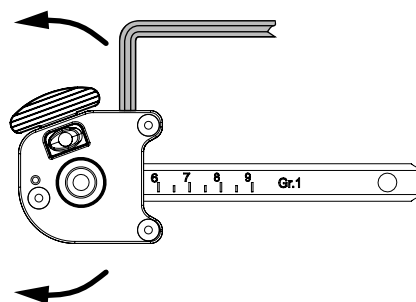
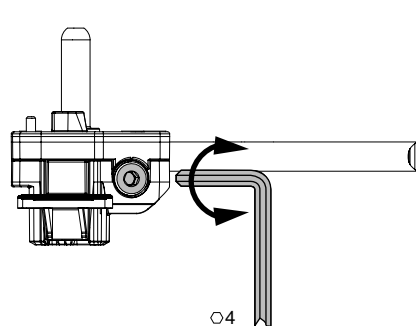
L90, L110, L140 =  $\geq 20$  mm  
L165 =  $\geq 25$  mm

### PVC Frame assembly example



- ① Screws must reach through the reinforcement.
- ② Threaded surface mounted frame hinge must be at least 8 mm inside the reinforcement.

## Settings



### **ATTENTION:**

Always adjust the shutters so that the buffer is attached to the wall!

When using the rebate buffer, pay attention to sufficient pressure resistance of the façade (e.g. with thermal insulation).

## Crank opener assembly



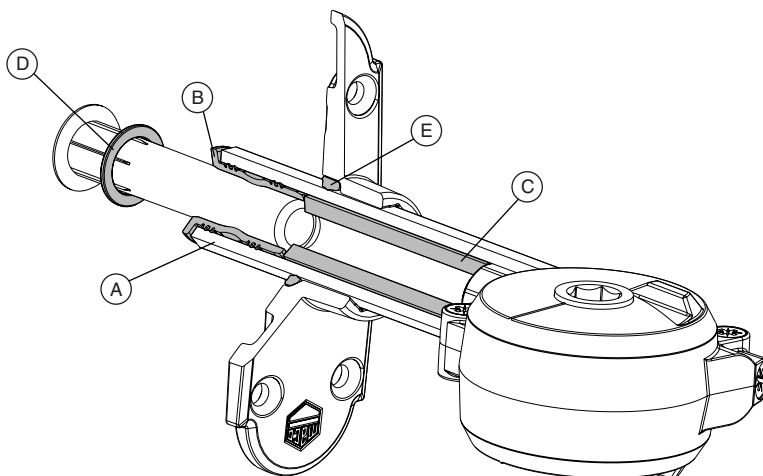
### DANGER!

For the use of the crank opener, please refer to Chapter 1.3 „Wind Resistance“ in the catalogue!

### Proper use

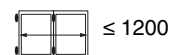
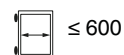
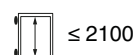
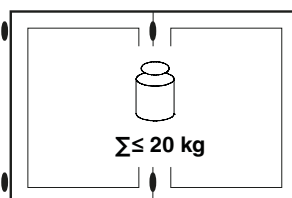
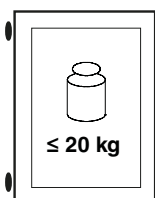
Crank openers enable opening and closing of shutters with closed window sashes from the inside of the room. They also fix the shutters in open and closed positions. They may only be installed and used for this purpose!

Installation and adjustment of the snap holders may only be carried out by qualified personnel!



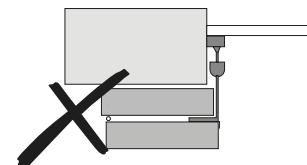
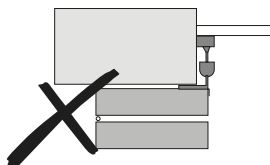
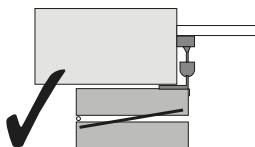
1. Shorten the octagon tube (A) as needed.
2. **Mount the gasket socket (B), insulation sleeve (C) (shorten as required), sealing washer (D) and gasket for bracket (E) (pay attention to accurate positioning) – otherwise there is a danger of condensation formation and rust! Grease all parts prior to assembly!**

### Application area and application notes



### DANGER!

Folding shutters can only be equipped with internal pivot point and folding shutter rods.





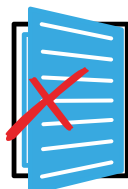
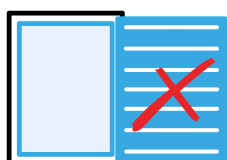
## Application area and application notes



### DANGER!

Crank openers have a limited storm resistance!  
Do not use in storm-prone areas!

Shutters with crank openers have limited storm resistance. All notes under Wind Resistance in the catalogue must be observed!

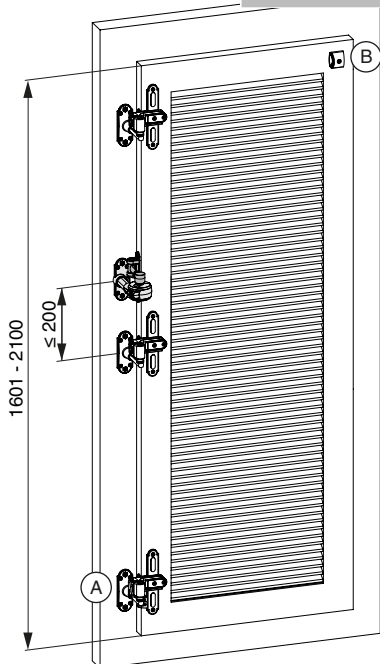
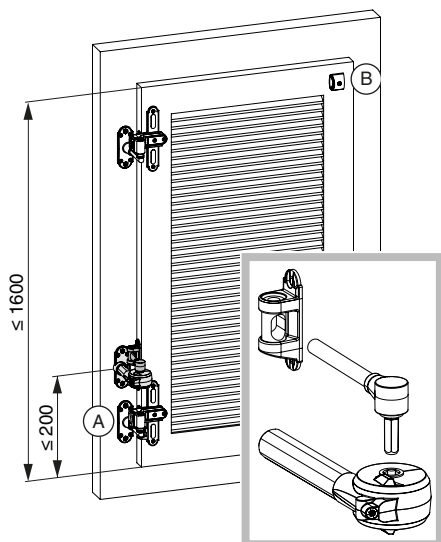


≥ 60 km/h

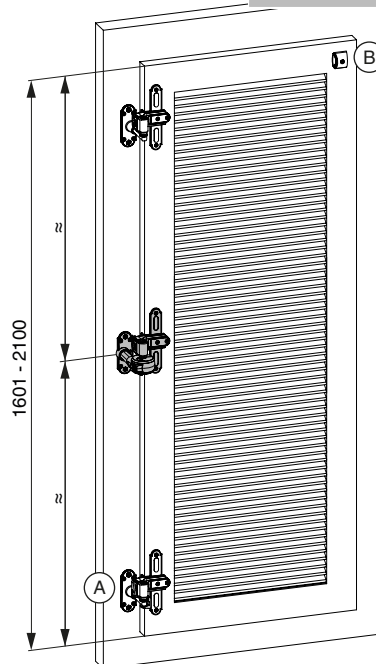
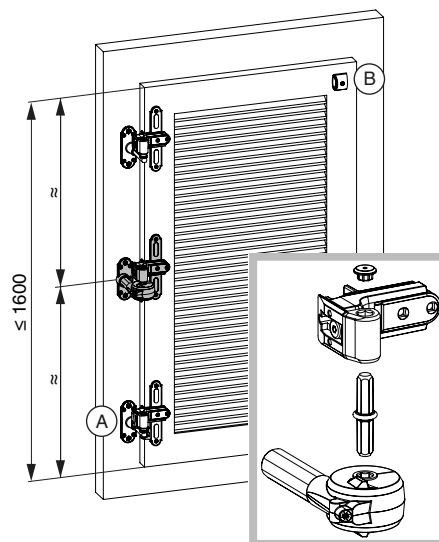


## Assembly positions

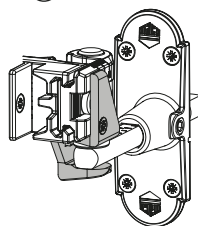
### Swivel arm assembly position



### Hinge assembly position



(A)

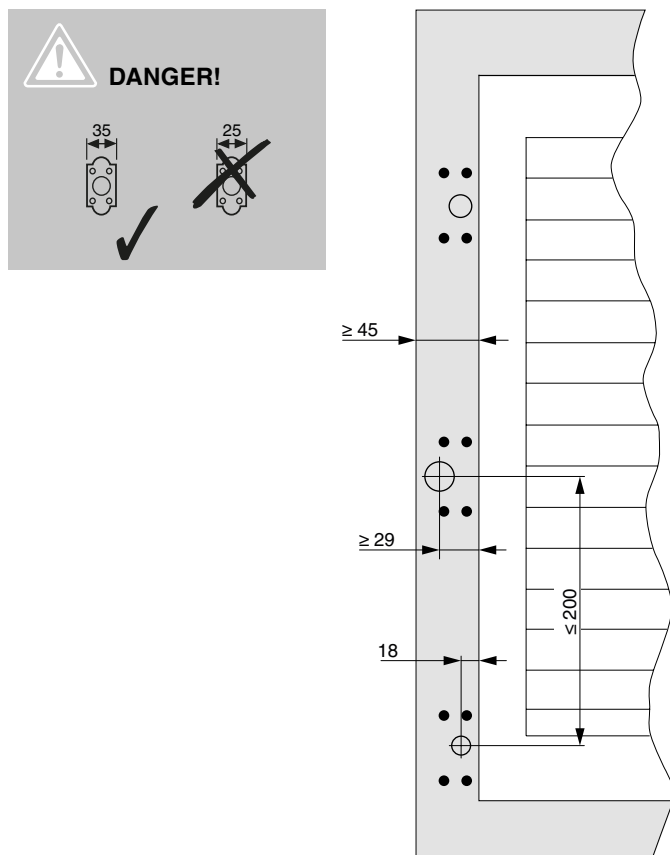


### DANGER!

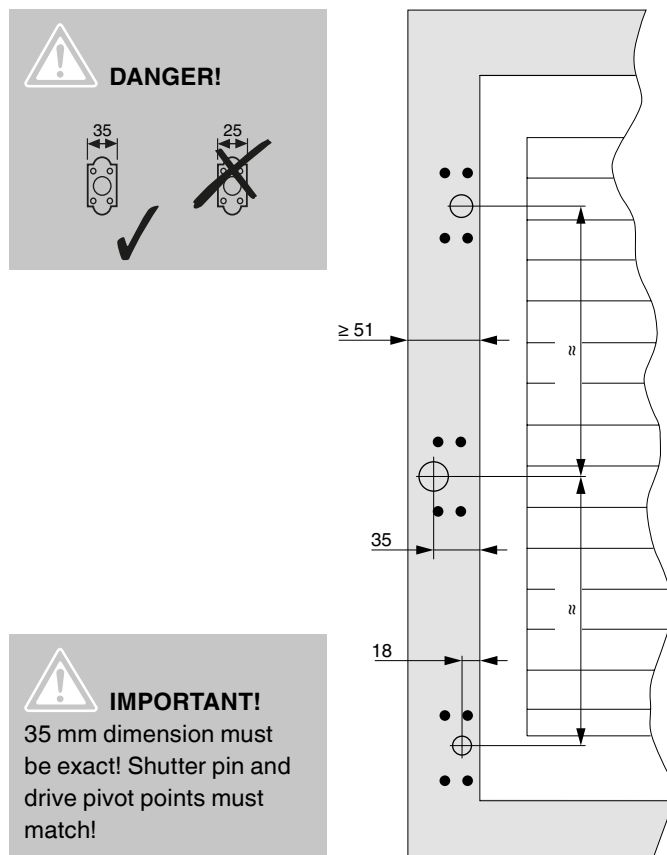
Per shutter, an anti-jemmy device (A) (Art. Nr. 13327 or 13328) and a rebate buffer (B) (Art. Nr. 42929 or 201313) must be installed!

## Space requirements and drilling

with swivel arm

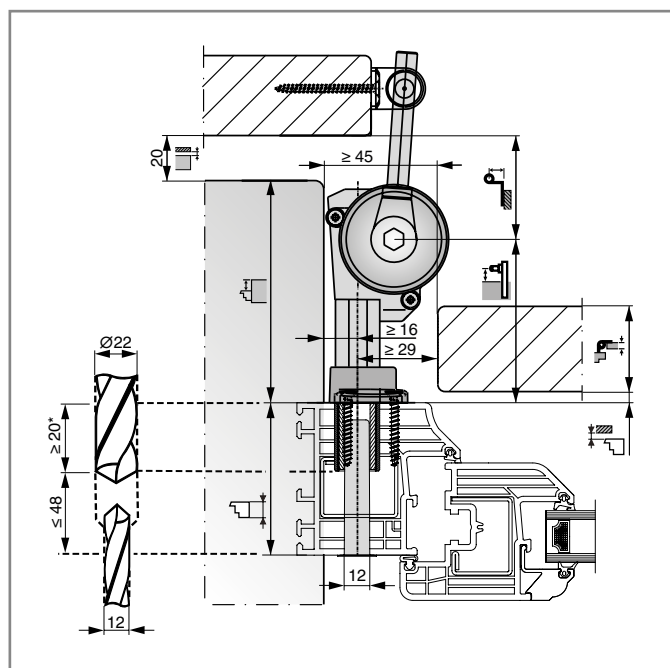


with hinge

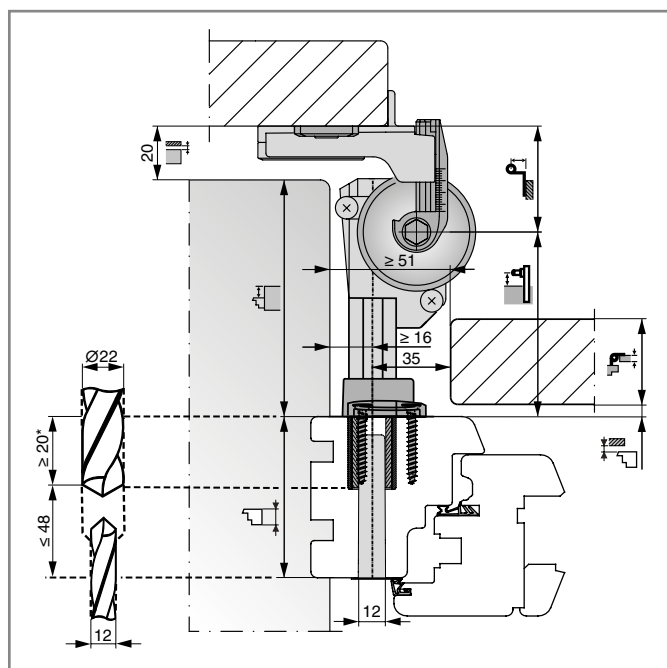


**IMPORTANT!**  
35 mm dimension must be exact! Shutter pin and drive pivot points must match!

PVC frame example

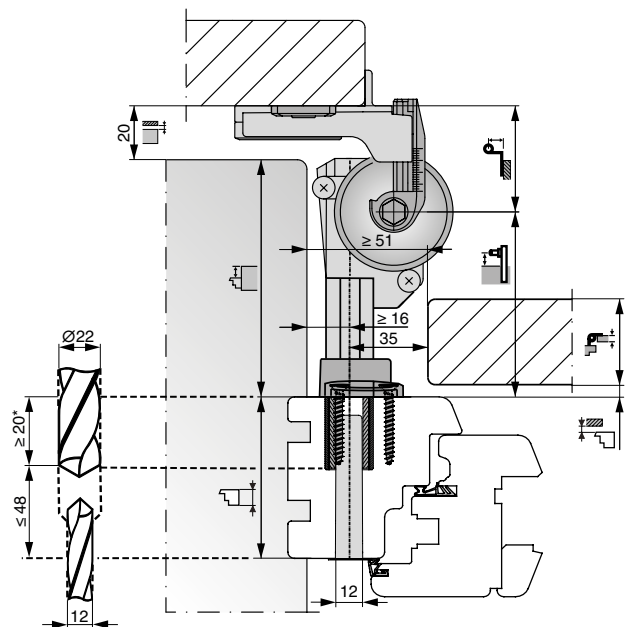


Timber frame example



\*A bigger depth improves stability

## Calculation examples of the crank opener sizes



### Calculation of hinge crank

	105 mm
	+ 20 mm
	- 30 mm
	- 17 mm
<hr/>	
=	78 mm : 2 = 39 mm
<hr/>	
→ Size 1	(32 - 50 mm)

### Calculation of pin distance

	105 mm
	+ 20 mm
	+ 30 mm
	+ 17 mm
<hr/>	
=	172 mm : 2 = 86 mm
<hr/>	
→ L105	(60 - 90 mm)

**Cut the drive tube, insulation sleeve and swivel arm as needed!**

### Calculation of drive length

	86 mm
Depth (min. 20 mm)	+ 40 mm*
<hr/>	
=	126 mm

→ Drive L130

\*A bigger depth improves stability

### Shorten the insulation sleeve!

Perform both calculations and use the smaller result!

#### Calculation 1


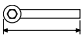
	86 mm
	+ 72 mm
<hr/>	
=	158 mm
	- 112 mm (fixed size 1)
<hr/>	
=	46 mm max. length

46 mm length for the insulation

#### Calculation 2

	126 mm
	- 74 mm (fixed size 2)
<hr/>	
=	52 mm max. length

### Calculation of swivel arm

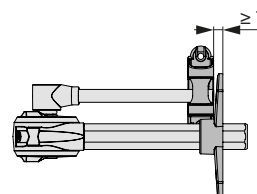
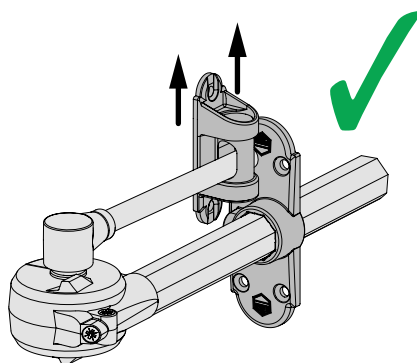
	86 mm
	+ 4 mm
<hr/>	
=	90 mm max. length 



#### CAUTION!

The positioning of the bearing block must be set as high as possible. This ensures a sufficient distance from the bracket.

### Swivel arm assembly

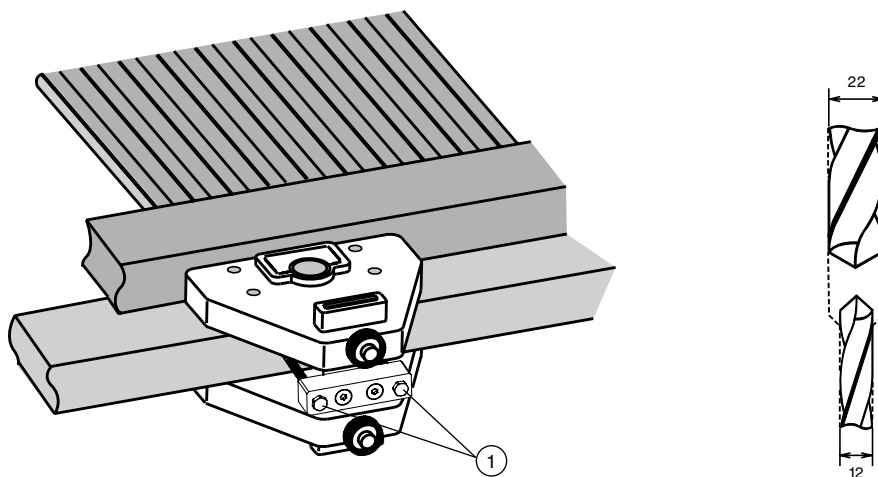


## Jig

for joint rebate with swivel arm — No. 205649

**The jig allows a variable distance (at least 29 mm) between the drill hole and the shutter edge.**

1. Determine clearance on frame installation.
  2. Mount the shutters.
  3. Set the desired distance between the hole and the shutter edge.  
The distance screws ① can be used for this purpose.
  4. Position the jig for joint rebate (see illustration). Always fix the jig with a clamp.
  5. Perform all shutter and frame installation drilling.
  6. Mount brackets, shutter pins and crank opener drives on the frame.
  7. Set the crank opener drives and shutter pins to the required shutter pin distance. Minor deviations are permissible. It must be ensured that when opening the sash, the swivel arm always has sufficient movement in the bearing block.
  8. Install the shutter hinges on the shutter and mount the shutter onto the frame.
  9. Shorten the swivel arm and insert it. Mount the bearing block on the edge of the shutter.
  10. Perform the function test and screw on the buffer stop.
- Important:**  
Drilling for the crank opener drive:  
Ø 22 mm outside, Ø 12 mm inside.



## Jig

For joint rebate with hinge – No. 102888

The jig enables an exact drilling with a distance of 35 mm to the shutter edge



### ATTENTION:

The fixing bolt and crank opener pivot points must be exactly perpendicular. Inaccuracies can lead to faulty operation and to breakage of hardware.

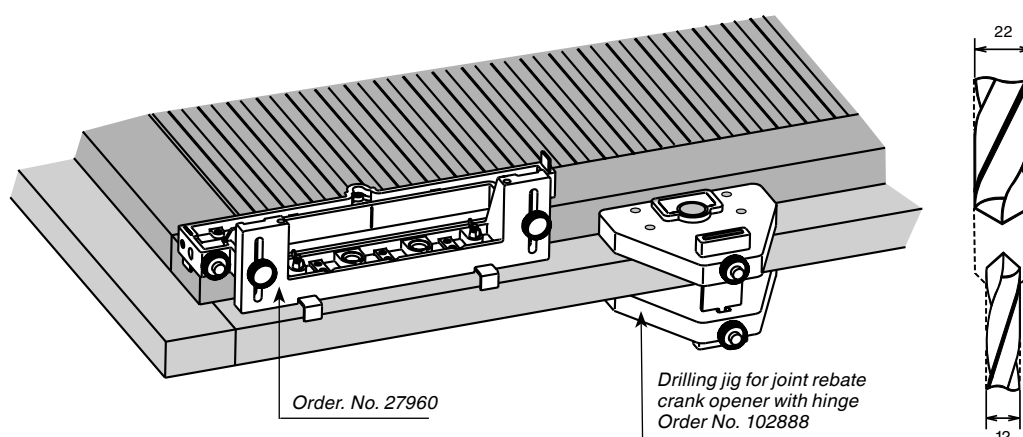
**Therefore, it is important to pay attention to the following:**

- Use MACO drilling jigs. The distance between the hole and the shutter edge must be 35 mm.
- All shutter pin distances, including the crank opener, must be set to the same level. The same applies to the adjustment of the hinge crank on the shutter hinges and the crank opener hinge.
- The MOUNTING of the sash must be possible in the open and closed position WITHOUT PRE-TENSIONING.

1. Determine clearance on frame installation.
2. Mount the shutters.
3. Position the jig for joint rebate (see illustration).
 

**Important:** Push the drilling jig for the crank opener from the outside directly on the edge of the shutter and fix it with a clamp.
4. Perform all shutter and frame installation drilling.
 

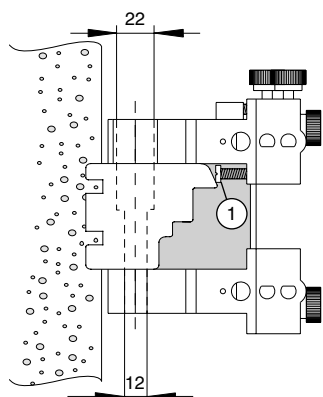
**Important:** The drilling of the crank opener drive:  
Ø 22 mm outside, Ø 12 mm inside.
5. Mount brackets, shutter pins and crank opener drives on the frame.
6. Set the crank opener drives and shutter pins to the required shutter pin distance. The spacing must be exactly the same.
7. Install the shutter hinges on the shutter and mount the shutter onto the frame.
8. Finally, place the crank opener hinge on the drive bolts and screw into place.
9. Perform the function test and screw on the buffer stop.



## Jig

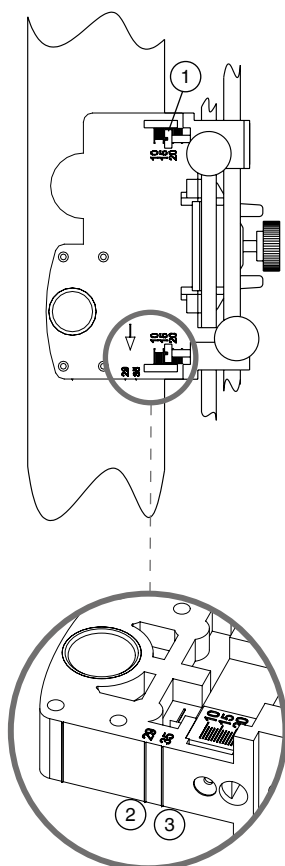
For separate rebate with swivel arm or hinge - No. 102889

### with swivel arm:



1. Mount hinges, shutter pin holders and shutter pins, and then mount the shutters.
2. Mark the position of the shutter edge on the frame.
3. Set the distance of the drive hole (at least 29 mm from the shutter edge).
4. The distance can be adjusted by means of the distance screws ① justiert werden.
5. Attach the jig to the frame and fix it with screw clamps.
6. Check the distance of at least 29 mm with the marking on the drill body ②.
7. Drill holes on the frame. **Important:** Drilling for the crank opener drive: Ø 22 mm outside, Ø 12 mm inside.
8. Mount the crank opener drive and set the shutter pin distance exactly.
9. Shorten the swivel arm and insert it. Mount the bearing block on the edge of the shutter.

### with hinge:



1. Mount hinges, shutter pin holders and shutter pins, and then mount the shutters.
2. Mark the position of the shutter edge on the frame.
3. Set the shutter clearance using the distance screws ① on the drill body (to scale).
4. Attach the jig to the frame and fix it with screw clamps.
5. Check the distance with the mark „35“. It must lie exactly on the position of the shutter edge ③.
6. Correct deviations if necessary – these can occur for example with oblique profiling of the frame installation.
7. Drill holes on the frame. **Important:** Drilling for the crank opener drive: Ø 22 mm outside, Ø 12 mm inside.
8. Mount the crank opener drive and set the shutter pin distance exactly.
9. Mount the crank opener hinge on the drive bolts and screw into place.
10. Perform the function test and screw on the buffer stop.



### ATTENTION:

The fixing bolt and crank opener pivot points must be exactly perpendicular. Inaccuracies can lead to faulty operation and to breakage of hardware.

### Therefore, it is important to pay attention to the following:

- Use MACO drilling jigs. The distance between the hole and the shutter edge must be 35 mm.
- All shutter pin distances, including the crank opener, must be set to the same level. The same applies to the adjustment of the hinge crank on the shutter hinges and the crank opener hinge.
- The mounting of the sash must be possible in the open and closed position without pre-loading.

## Folding shutter rods

Over-dimensions  
for guide rod<sup>1</sup>

①

Size 0	0 – 3 mm
Size 1	2 – 10 mm
Size 2	7 – 20 mm
Size 3	17 – 40 mm

Assembly position  
for pivot bearing<sup>1</sup>

②

Size 0	79 – 83 mm
Size 1	82 – 90 mm
Size 2	87 – 100 mm
Size 3	97 – 120 mm

Gap for locking hooks<sup>1</sup>

③

Size 0	9 – 10 mm
Size 1	10 – 12 mm
Size 2	11 – 15 mm
Size 3	14 – 20 mm

Gap dimensions<sup>1</sup>

④

Size 0	10 – 12 mm
Size 1	11 – 14 mm
Size 2	13 – 18 mm
Size 3	17 – 24 mm

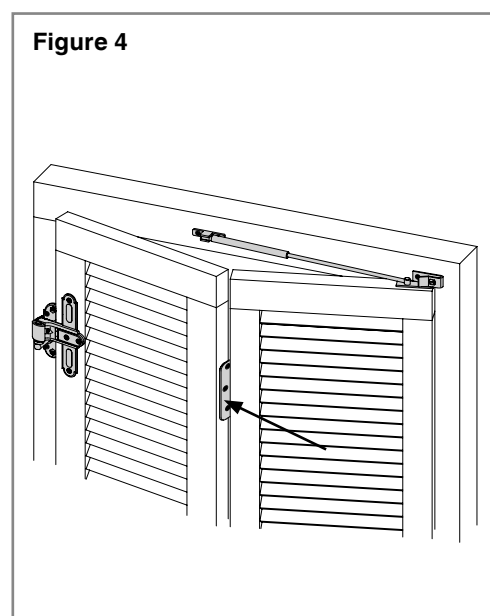
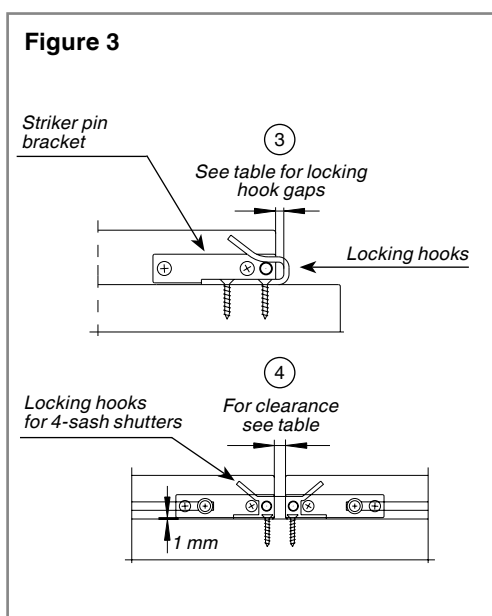
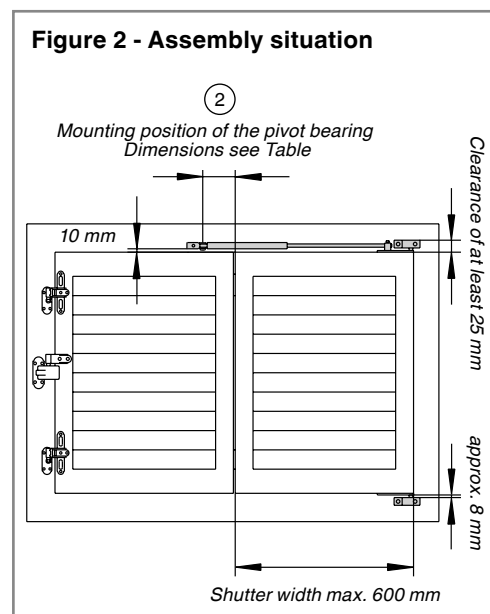
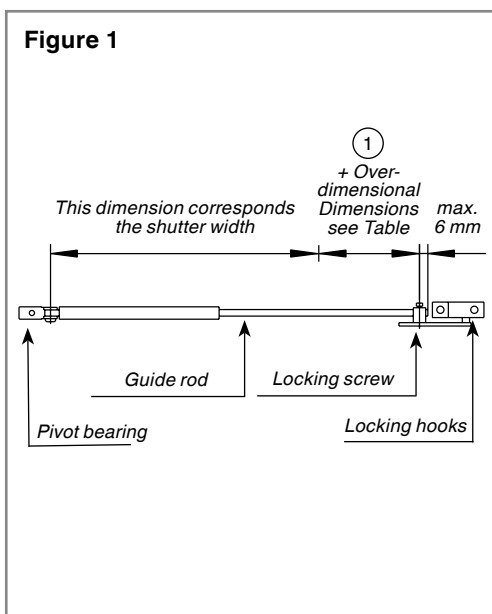
**'Attention:**

Data for hinges size 0 - 3. The specified dimensions are guideline values for shutter widths of 400 mm and shutter thickness of 40 mm. They may deviate from the specified values for different shutter widths and shutter strengths!

- Loosen the locking screw and shorten the guide rod (Fig. 1).
- Mount the pivot bearing on the frame (Fig. 2, see table for assembly position!).  
  
Screw head down. Important for later dismounting.
- Screw down the upper and lower striker pin brackets on the shutter end. Mount

the locking hook in the indicated positioning on the frame (Fig. 3).

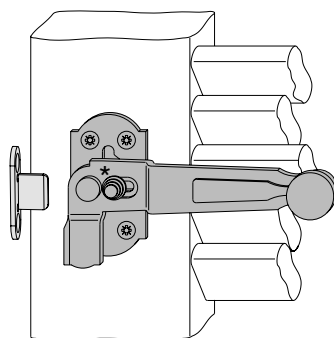
- Pull out the guide rod (important for pre-loading) and connect by fixing the clamping screw (fig. 1).
- Note the pivot point of the middle hinge! Only for shutter constructions with internal pivot point (fig. 4)!



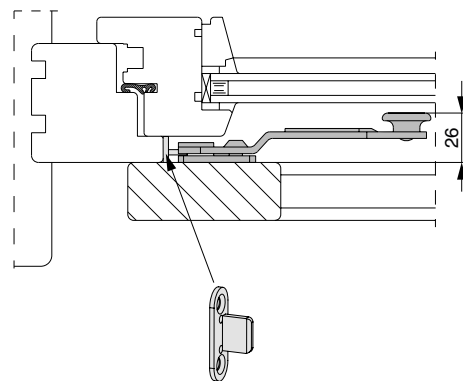


## Shutter locks

Centre lock single-sash (usable on left and on right)

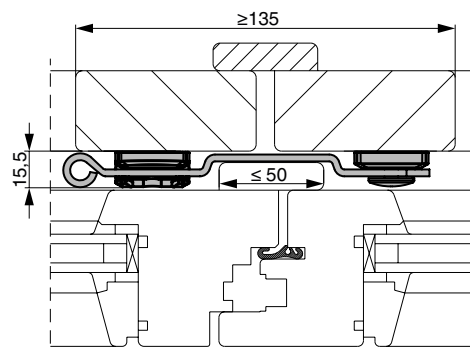
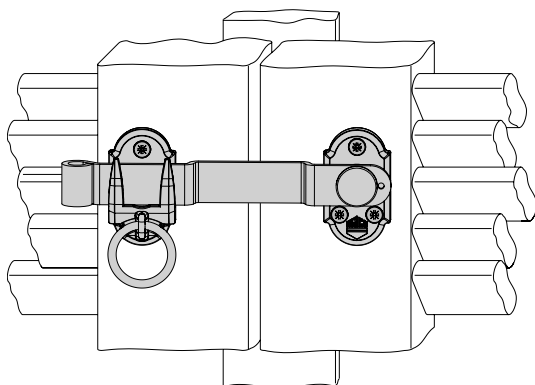


*\*Operating lock*



*Striker pin bracket  
for single sash shutters with  
10 or 17 mm spacing.*

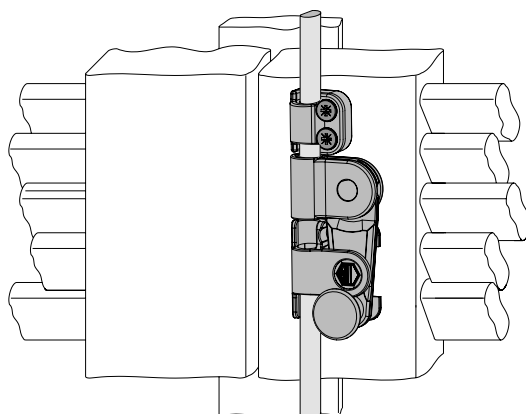
Centre lock double-sash (usable on left and on right)



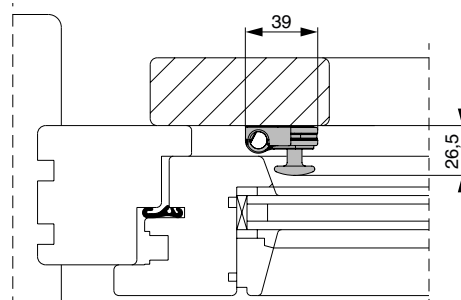
## Multi-point locking rod

### Shutter lock 1-sash (usable on left and right)

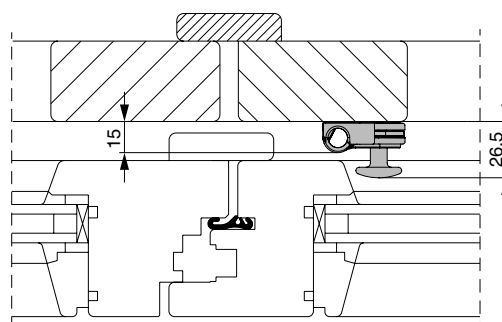
Double-sash example



Single-sash cross-section

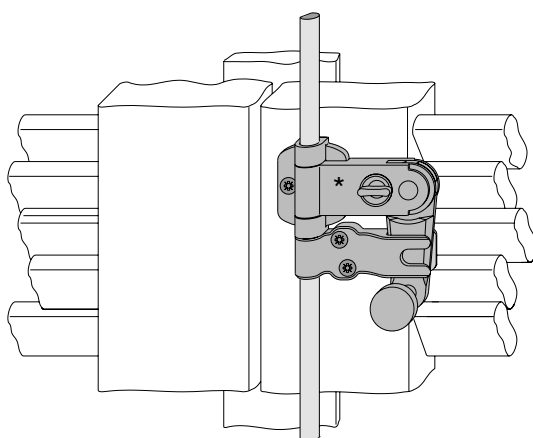


Double-sash cross-section



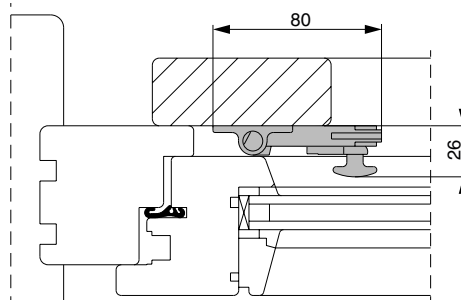
### Shutter lock 2-sash (usable on left and right)

Double-sash example  
Vertical locking function

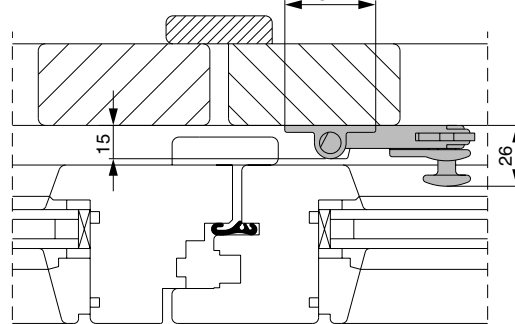


\*Operating lock

Single-sash cross-section



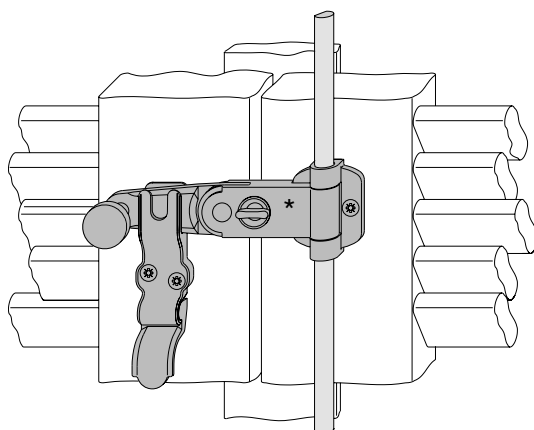
Double-sash cross-section



## Multi-point locking rod

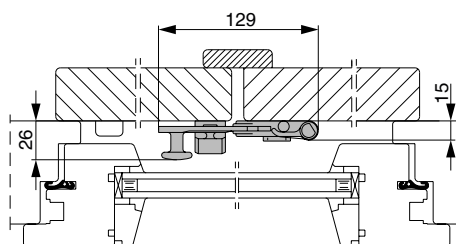
Shutter lock 2-sash (usable on left and right)

Double-sash example  
Horizontal locking function



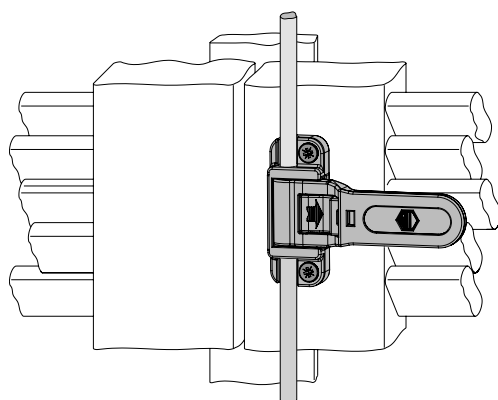
\*Operating lock

Double-sash cross-section

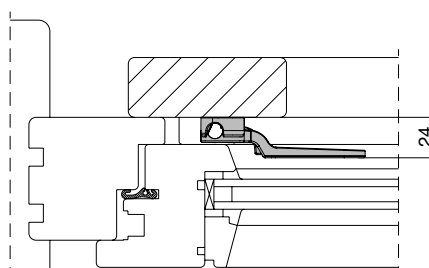


Snap lock (usable on left and right)

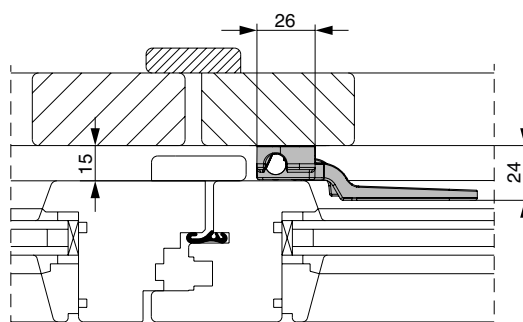
Double-sash example



Single-sash cross-section



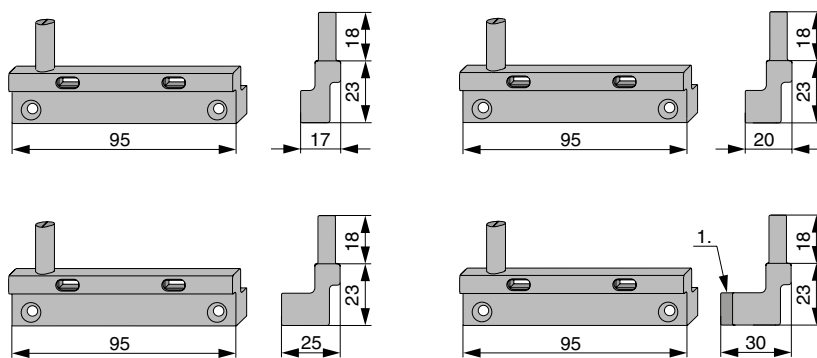
Double-sash cross-section



## Multi-point locking rod

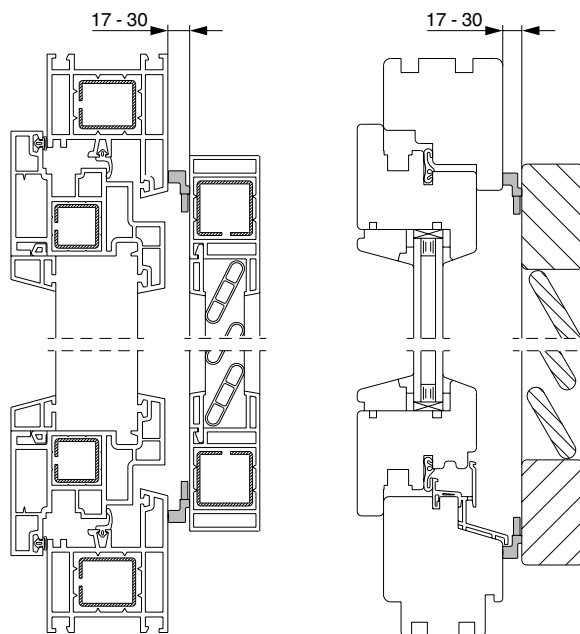
### Striker pin brackets

for mounting with a gap



1. Packer 5 mm

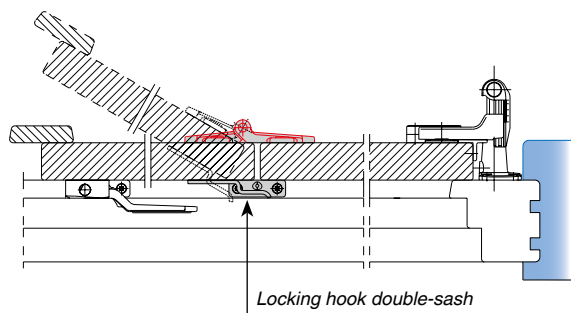
### Assembly examples



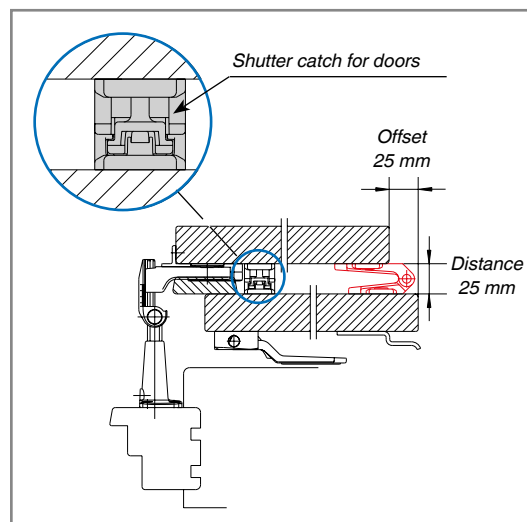
# Folding shutters

with external pivot point

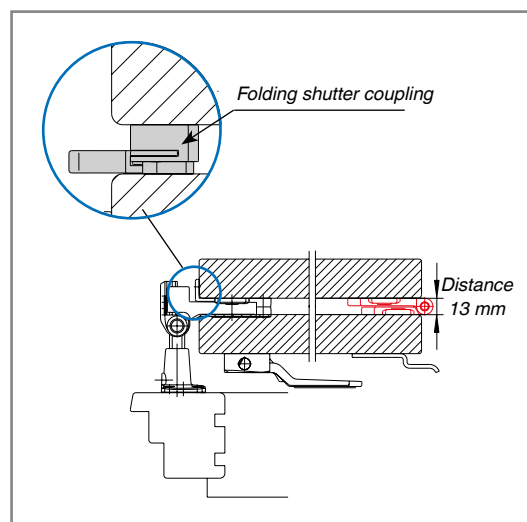
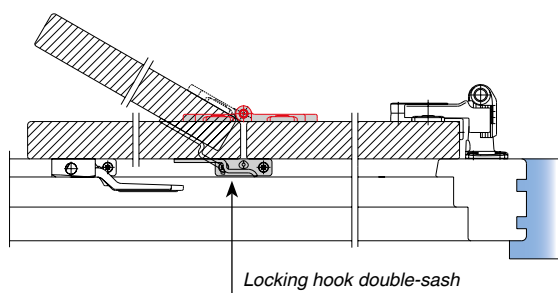
Example **with** reveal



When assembling with a distance between the frame and the shutter, use a „striker pin bracket for spacing“ of 10, 17, 20 or 25 mm.



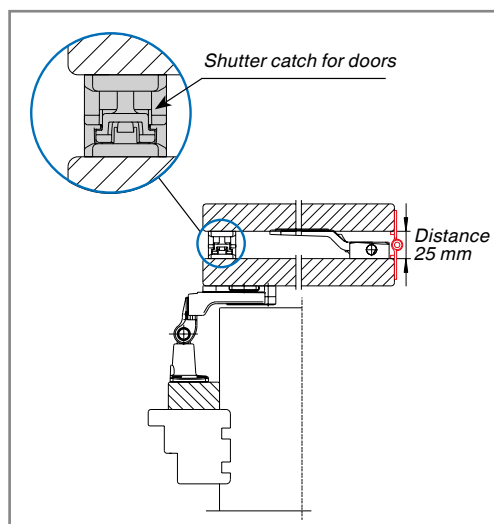
Example **without** reveal



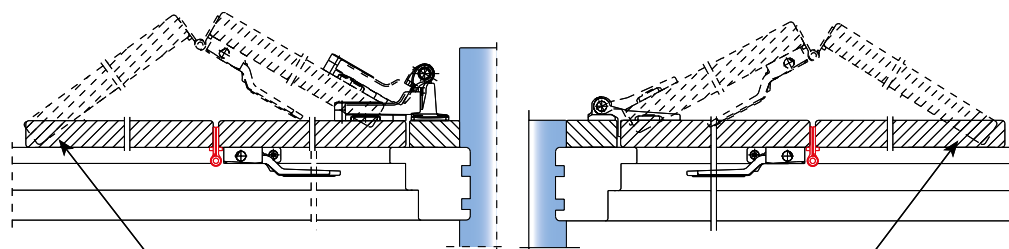
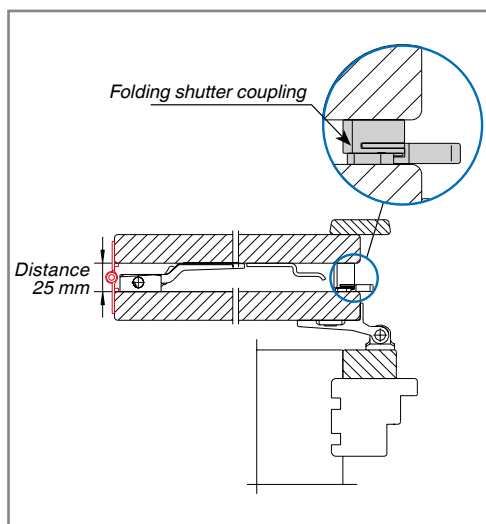
# Folding shutters

with internal pivot point

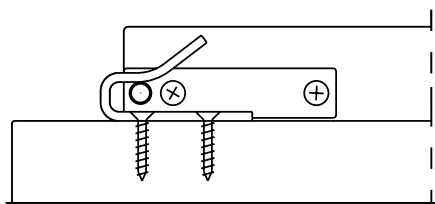
Example **with** reveal



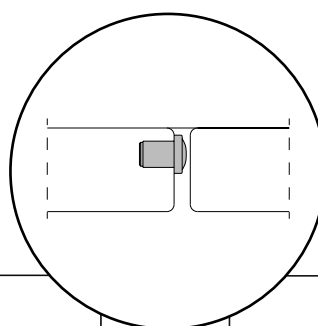
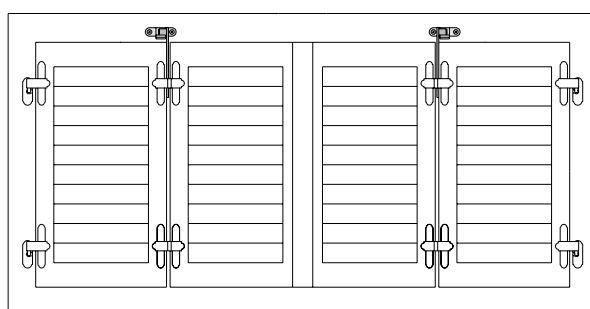
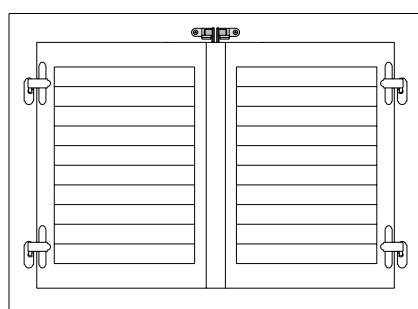
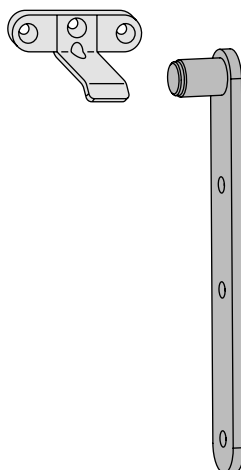
Example **without** reveal



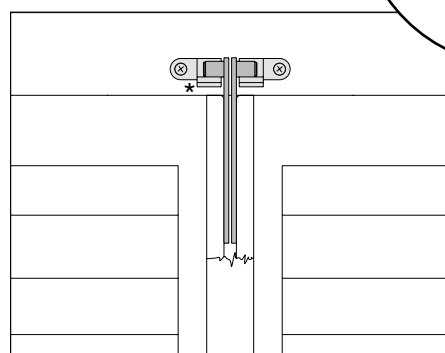
Depending on the situation, a second lock or locking hook is required



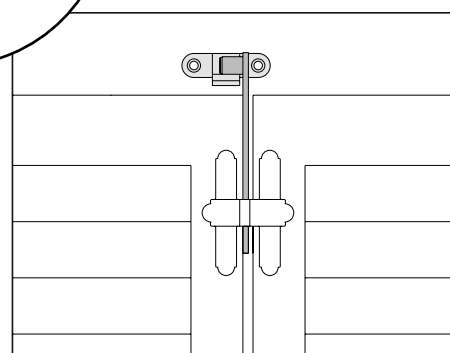
## Shutter suspending run-up block



For shutters



For folding shutters



\*Run-up block plate

**MACO  
RUSTICO**



**MAYER & CO  
BESCHLÄGE GMBH**

Alpenstraße 173  
A-5020 Salzburg

Tel.: +43 662 6196-0  
E-Mail: [maco@maco.eu](mailto:maco@maco.eu)  
[www.maco.eu](http://www.maco.eu)

### **Satisfied?**

We appreciate your  
[feedback@maco.eu](mailto:feedback@maco.eu)

Order No. 757619 - Date: July 2000 - date changed: November 2019  
All rights reserved and subject to change.

Illustrations: MACO

This print document is revised regularly.  
The latest version is available at  
<https://www.maco.eu/assets/757619>  
or by scanning the QR code.

