



TECHNOLOGY IN MOTION

MACO RAIL-SYSTEMS

SLIDING HARDWARE



ASSEMBLY INSTRUCTIONS

HS COMFORT CLOSE / COMFORT STOP
concealed with reinforcement V192, V372
Profine PremiDoor 88+/76

Table of contents

Important instructions	3
<hr/>	
Function	3
<hr/>	
Fittings overview	4 - 5
<hr/>	
Preparation frame - Example: scheme A and C	6
<hr/>	
Preparation sash	7
<hr/>	
Mounting Comfort Close/Comfort Stop	8
<hr/>	
Mounting sash and frame	9
<hr/>	
Reference dimension	9
<hr/>	
Completion of guide track	10
<hr/>	
Adjustment options	10
<hr/>	
Mounting cover frame piece	11
<hr/>	
Technical data	11

Important instructions

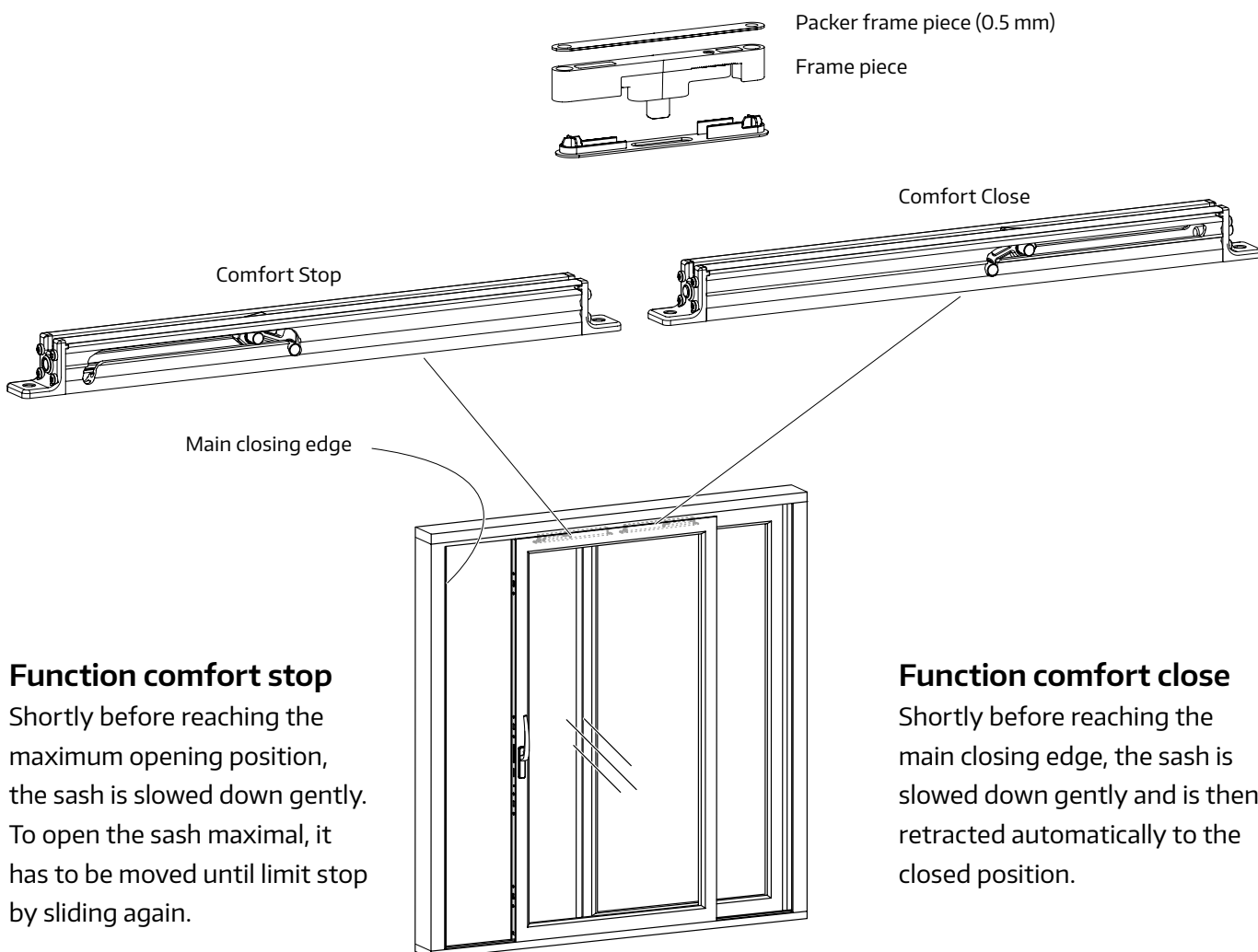
Target group

This documentation is intended exclusively for specialist companies and certified specialists. The work described herein must only be carried out by certified specialists.

Usage and safety information

In addition to this information, the profile-dependent assembly instructions for HS-Hardware Profine PremiDoor 88, Order No. 758562EN or HS-Hardware Profine PremiDoor 76, Order No. 758548EN, must be complied with. In the Comfort Close assembly instructions, only the differences from the above document are described. Mount all hardware parts professionally as described in this manual and observe all safety instructions.

Function



Function comfort stop

Shortly before reaching the maximum opening position, the sash is slowed down gently. To open the sash maximal, it has to be moved until limit stop by sliding again.

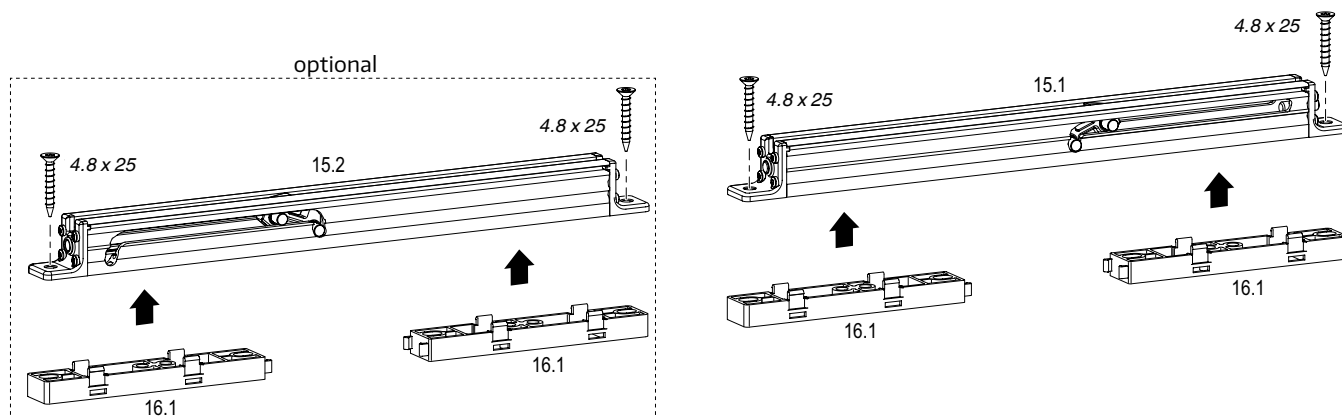
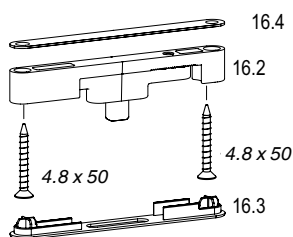
Function comfort close

Shortly before reaching the main closing edge, the sash is slowed down gently and is then retracted automatically to the closed position.

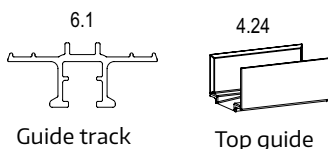
Fittings overview

Pos.	Description
4.24	Top guide
6.1	Guide Track
15.1	Comfort Close
15.2	Comfort Stop
16.1	Packer housing
16.2	Frame piece
16.3	Cover frame piece
16.4	Packer frame piece

Note: All measurements in this document are indicated in millimetres.



required for mounting:
guide track and U-guide (please refer to
HS-mounting instructions Profine
PremiDoor 88+/76, document item,
758562/758548 too)



Screws are not included in scope of
delivery. Respective specifications
represent a recommendation,
only.



Fittings overview

Items per sliding sash

		Article description		Item Code	
1	Comfort Close 15.1 ²⁾	size 1	≤ 200 kg ≤ 30 N	sash weight sliding force	300359
		size 2	> 200 ... 300 kg ≤ 50 N	sash weight sliding force	300360
1 ^{x)}	Comfort Stop 15.2 ²⁾	size 1	≤ 200 kg ≤ 30 N	sash weight sliding force	304052
		size 2	> 200 ... 300 kg ≤ 50 N	sash weight sliding force	304053
	Accessories Comfort Close + Comfort Stop 16.1, 16.4, 4.24			305140	
1	Accessories Comfort Close + Comfort Stop 16.1, 16.4, 4.24			305140	
1	Frame piece, adjustable 16.2			305134	
1	Cover frame piece 16.3			304816	

^{x)} optional ²⁾ Colour of damper: size 1 - black, size 2 - silver-grey

Preparation frame - Example: scheme A and C

Scheme A

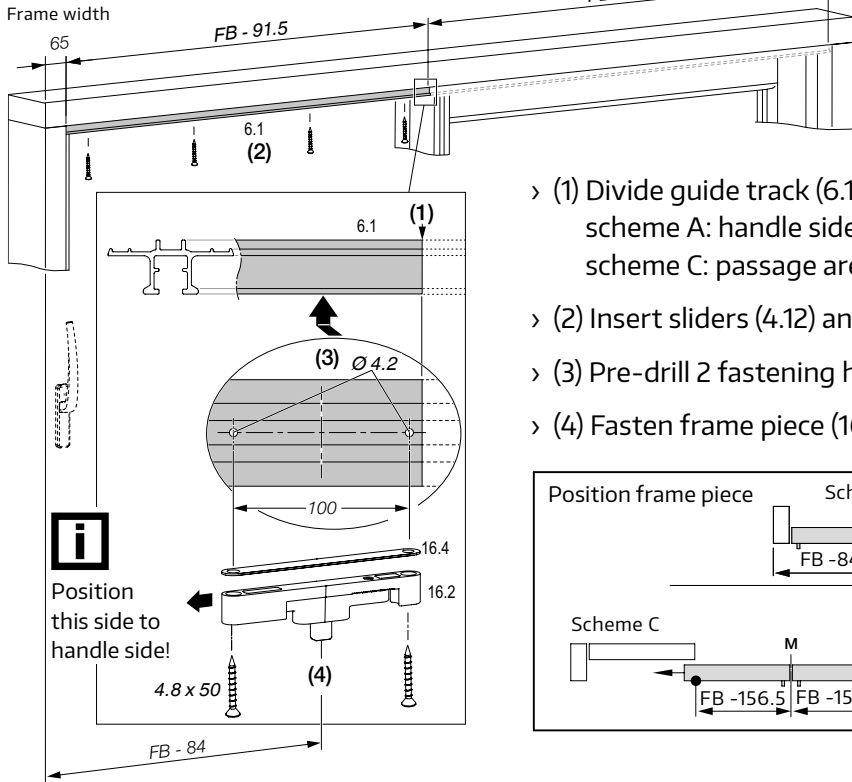
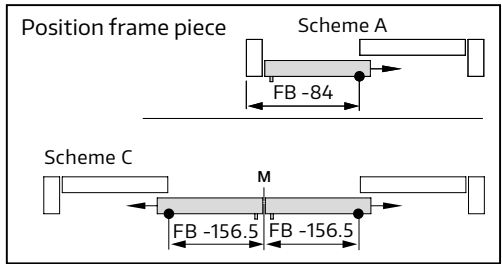
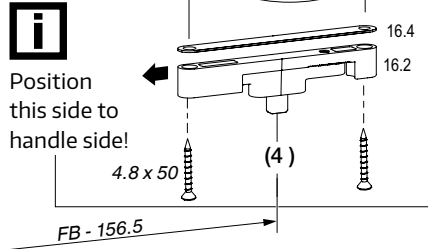
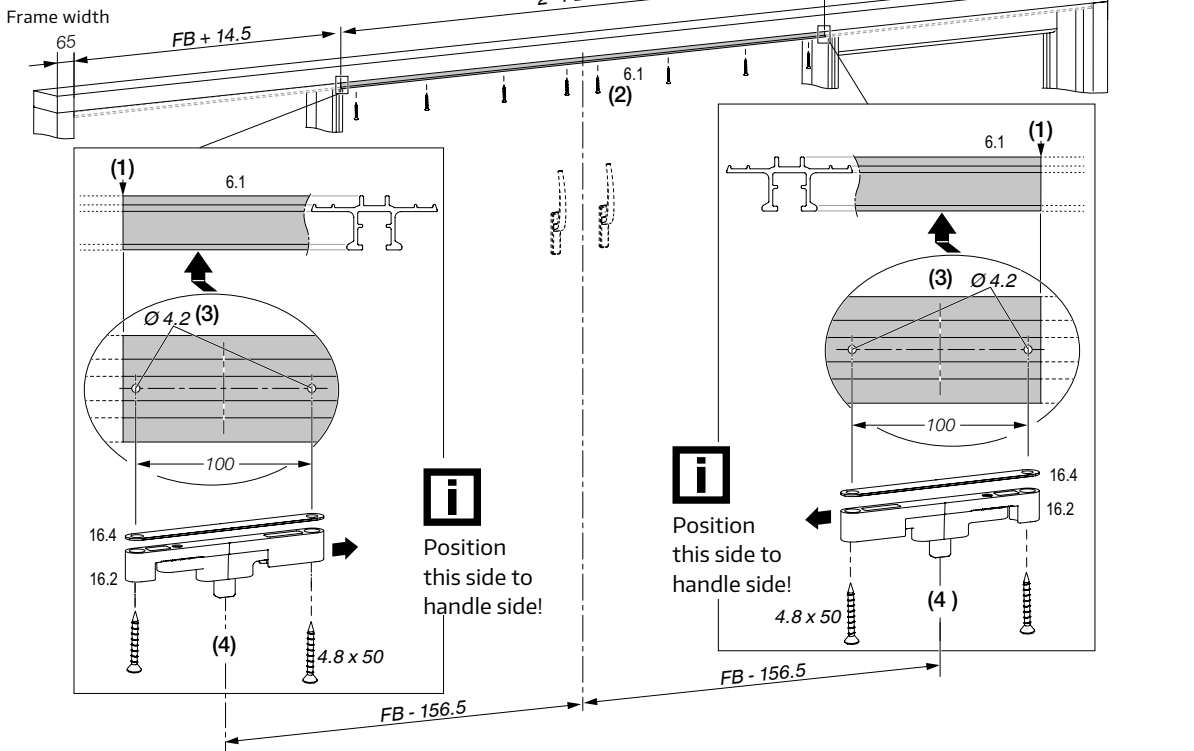


Illustration with dividing of the guide track; However, for this profile system dividing is not mandatory.

- > (1) Divide guide track (6.1):
 scheme A: handle side: $FB - 91.5$ mm, fixed sash side: $FB + 14.5$.
 scheme C: passage area: $2 \cdot FB - 187.5$, fixed sash: $FB + 14.5$.
- > (2) Insert sliders (4.12) and fasten guide track (6.1) on handle side.
- > (3) Pre-drill 2 fastening holes $\varnothing 4.2$.
- > (4) Fasten frame piece (16.2) with packer (16.4).



Scheme C

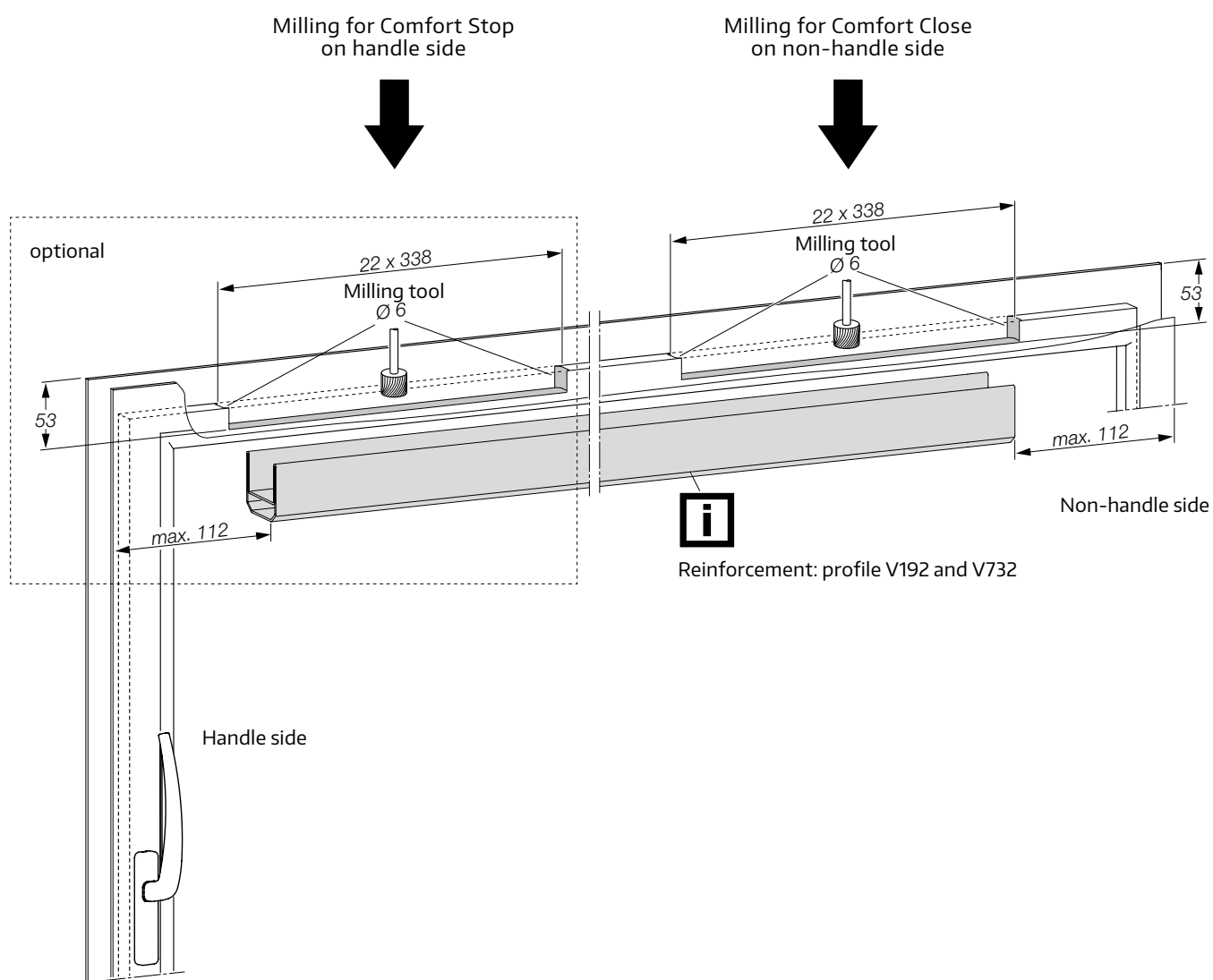


Preparation sash

› Carry out sash milling for Comfort Close on non-handle side and/or for Comfort Stop on handle side.

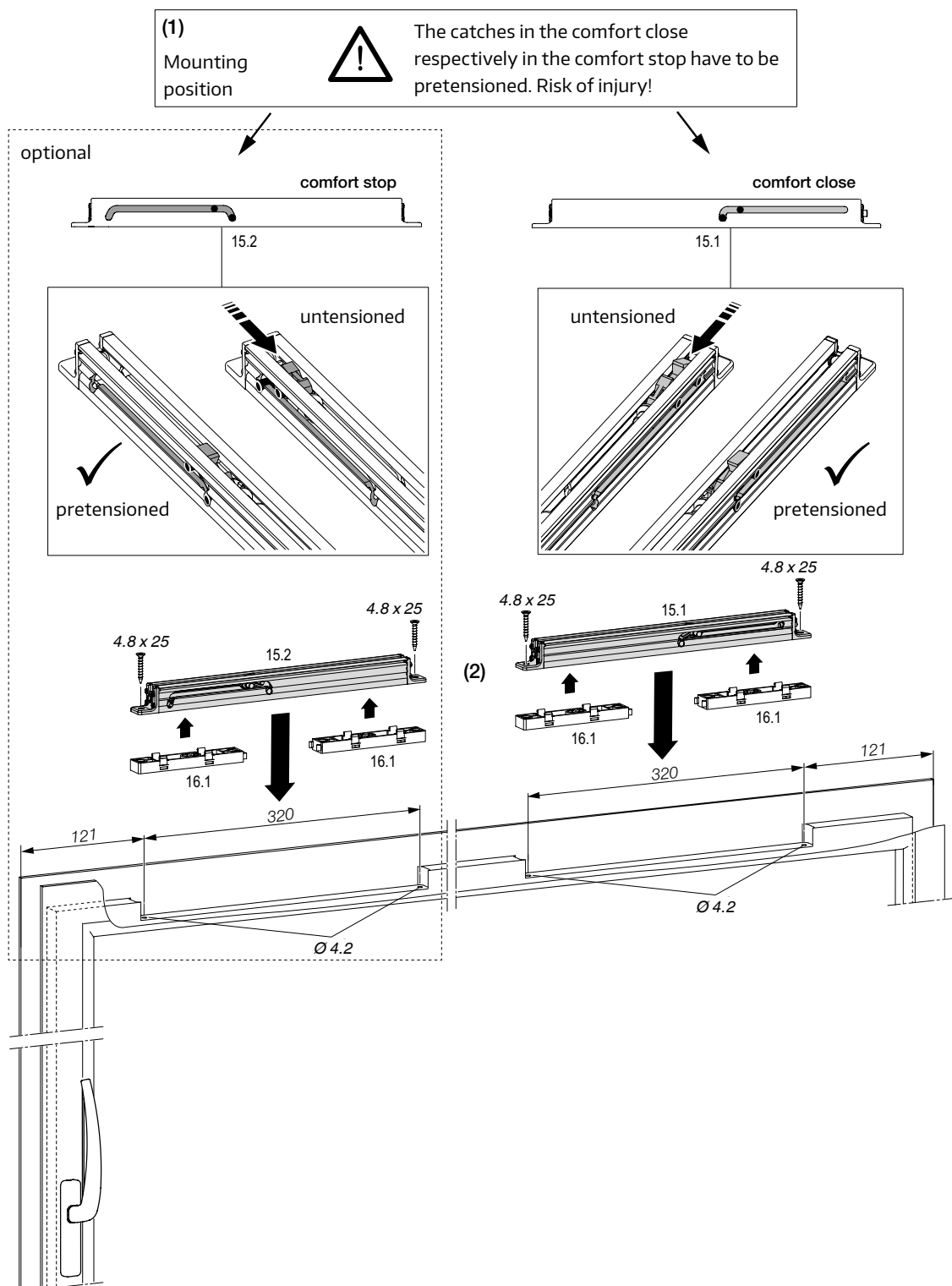


The reinforcement „V192" (PD 88+) and "V372" (PD 76) has to be within the area of Comfort Close respectively Comfort Stop (slide in max. 112 mm to outer edge of sash).



Mounting Comfort Close/Comfort Stop

- > (1) Comfort Close respectively Comfort Stop has to be pretensioned.
- > (2) Clip packer onto the housing of the Comfort Close and/or onto the housing of the Comfort Stop.
- > (3) Mount the Comfort Close respectively Comfort Stop with 2 screws 4.8 x 25 each at the sash.



Mounting sash and frame



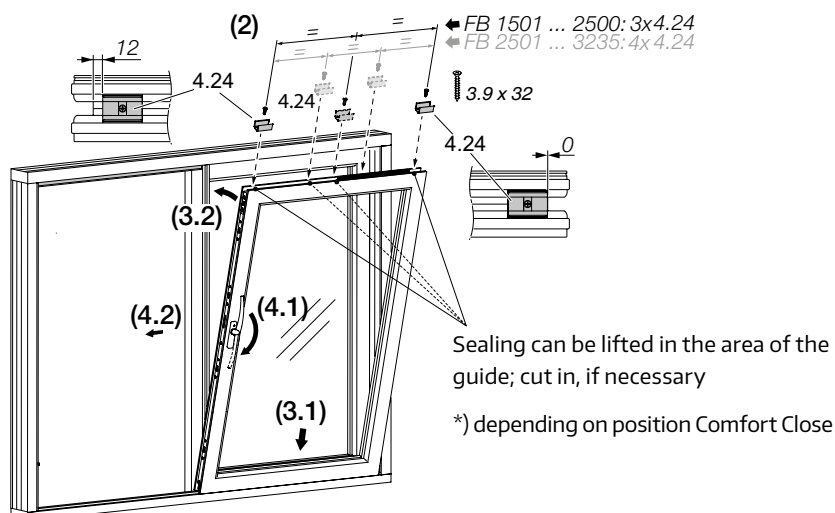
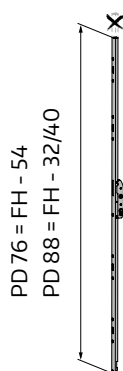
Attention: Risk of injury due to fallen sash!

To avoid the risk of injury, perform the following steps with two workers.

Example: scheme A; scheme C accordingly

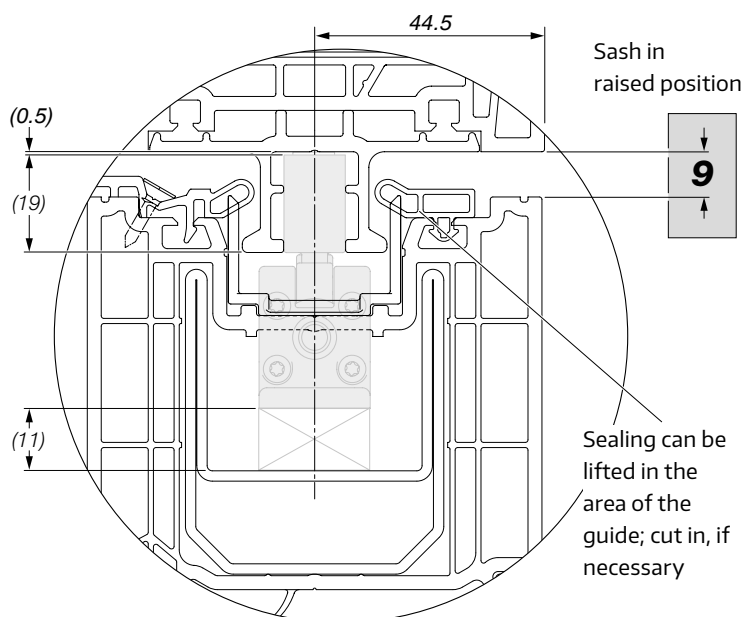
- > (1) Cut espag into lengths.
- > (2) Fasten U-guides (4.24) within the top sash rebate.
- > (3) Set down the sliding sash onto the running track in the area of the fixed sash and swivel it into the element.
- > (4) Bring handle into „Open“ position and slide the sliding sash to the transit area.

(1)
refer to mounting instructions,
758562 PD 88+, 758548 PD 76, too



Reference dimension

- > To check the height of the frame piece, swivel in the sash, lift it and slide into closing position.
- > Measure reference dimension within the range of the comfort close respectively comfort stop (desired value = 9 mm).
- > If necessary, slide the sash aside and compensate deviation to the reference dimension by adjustment of the frame piece (refer to „Adjustment options“).
- > Fasten guide track on fixed sash side.



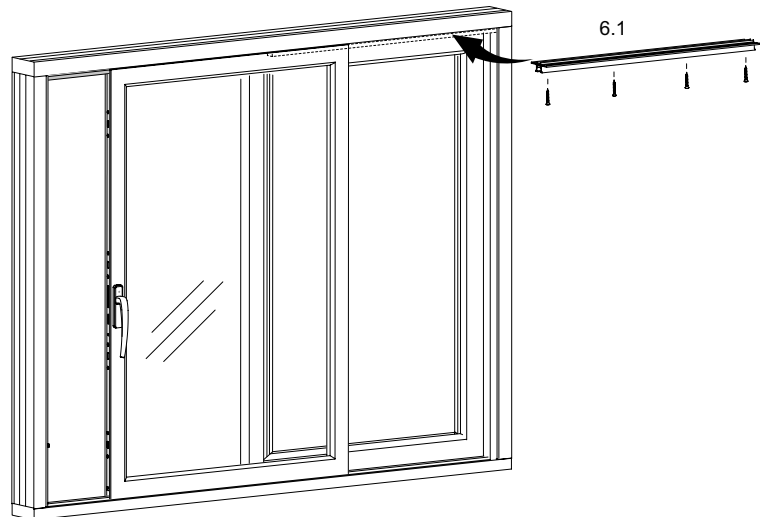
Completion of guide track

(If the guide track is not divided, this work step is not necessary.)

Example:

scheme A; scheme C accordingly

Fasten the guide track at frame profile.



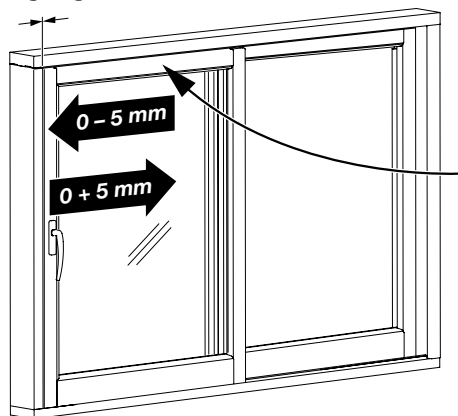
Adjustment options

In case of inaccuracy concerning position of the frame piece, the reference dimension concerning the height of the frame piece and the end position of the sash related to the frame can be adjusted.

To do this, the sash has to be opened.

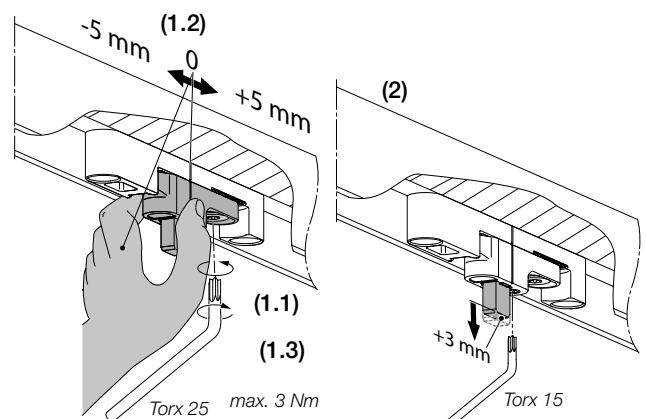
- > (1) Correction of the lateral position (+/- 5 mm):
 - (1.1) Loosen screw by means of Torx 25,
 - (1.2) Slide frame piece into the desired direction:
 - 0 – 5 mm: closing of sash will be shifted in direction of handle side;
 - 0 + 5 mm: closing of sash will be shifted in direction of non-handle side
 - (1.3) Fasten screw with max. 3 Nm.
- > (2) Correction of the height of the frame piece (+ 3 mm) with Torx 15.

Adjustment at closing edge



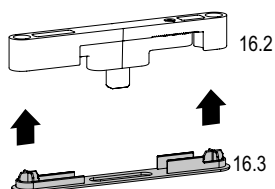
(Sash opened)

0 – 5 mm: towards closing position (frame)
0 + 5 mm: off the closing position (frame)



Note: Adjustments may be changed after glazing the sash and mounting the frame!

Mounting cover frame piece



Technical data

Range of application scheme A:

Sash width (FB)	700 – 3280 mm
FB _{min.} for 2x Comfort Close	890 mm
Sash height (FH)	815 – 2920 mm
Outer frame width (RAB)	acc. to profile manufacturer's specifications
Sash weight or sliding force without Comfort Close and Comfort Stop	size 1: max. 200 kg or max. 30 N size 2: max. 300 kg or max. 50 N (further sizes on request)

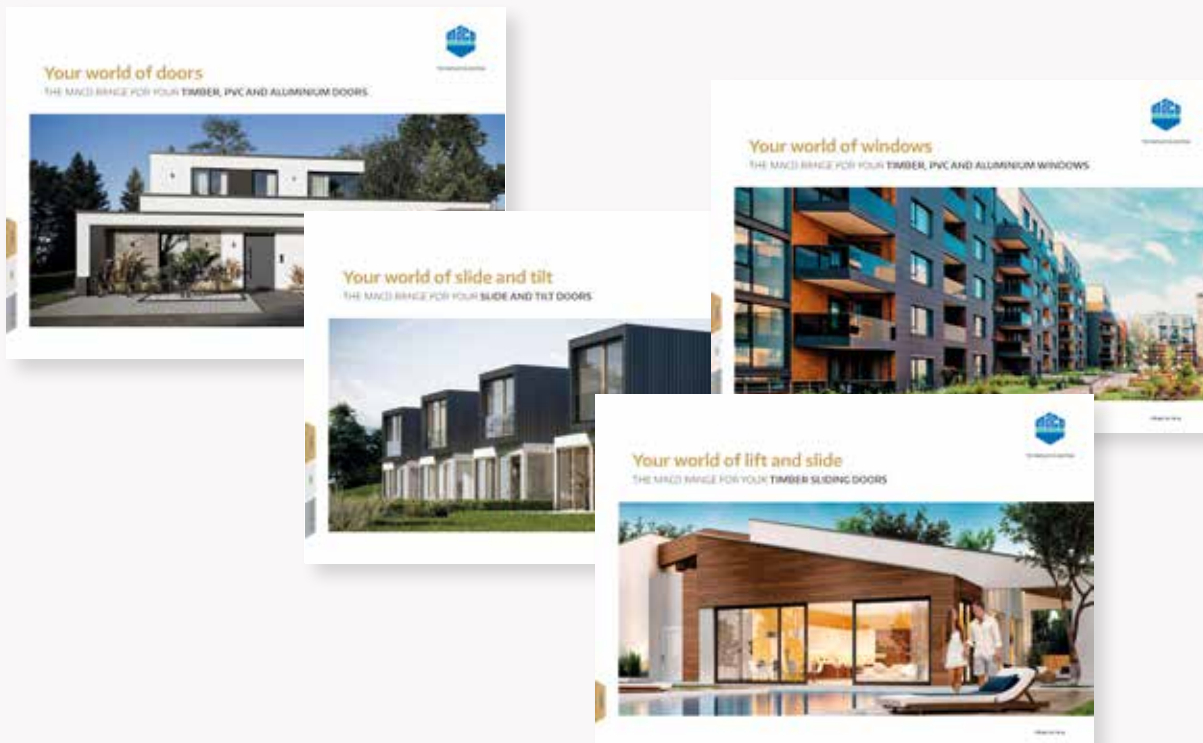
Depending on version of the profile sealing to be used, it can happen, that the sash cannot close completely.

Dimensions (W x H x D)	
Comfort Close	336 mm x 27.5 mm x 22 mm
Comfort Stop	336 mm x 27.5 mm x 22 mm
Soft move-in	starting approx. 100 mm off the closing edge
Increase of sliding force with Comfort Close or Comfort Stop	size 1: by 25 N (black) size 2: by 45 N (silver-grey)

Range of application is depending on used profile systems. Specifications of profile manufacturers to be observed.

You want everything from a single source?

We provide you with complete solutions for sliding doors, windows and doors – for timber, PVC and aluminium. Experience our versatile system offer, comprehensive service included. Discover more of this on our website www.maco.eu or contact your MACO representative.



MACO near you:
www.maco.eu/contact



TECHNOLOGY IN MOTION



This print document is revised regularly.
The latest version is available at <http://www.maco.eu/assets/757734>
or by scanning the QR code.

Created: 01/2013 - Geändert: 12.03.2020
Order no. 757734
All rights reserved and subject to change.