



HAUTAU HS Comfort Drive



CATALOGUE

Symbols

No	Item number		Spindle size
	Packing unit		Maximum sash weight
	Slide system: electric motorised sliding	X	Sash recess
	Lift and slide system: manual lifting, electric motorised sliding	GRP	Glass fibre reinforced plastic (GRP)
	Lift and slide system: electric motorised lifting and sliding	ALU	Aluminium
	Backset (BS)	HS	Lift&Slide hardware - HS
	Number of hook striker plates	CD	Comfort Drive
	Sash rebate height (SRH)	FB	Sash width
	Handle height (HH)	FH	Sash height
L	Overall component length	RAB	Frame outside width
		RAH	Frame outside height
		FS	Sash strength
		DM	Backset (BS)
		li + re	left + right

Note: If not otherwise specified, all dimensions are stated in millimetres and packing units in items per box.

1 Technical and General Information



5

2 HS Comfort Drive



9

3 Directory

1 Technical and General Information

1.1	How to use the catalogue _____	6
1.2	Product information _____	6
1.3	Intended use _____	6
1.4	Information on product safety and product liability _____	7
1.5	Storage instructions fittings _____	7
1.6	Manufacturer's declaration / State of the art _____	7
1.7	Certificates, guarantees and standards _____	7
1.8	General Terms and Conditions _____	7

1 Technical and General Information

1.1 How to use the catalogue

If not otherwise specified, all dimensions are stated in millimetres and packing units in items per box.

Delivery only in whole packaging units - if small quantities are ordered, they are automatically rounded up to the specified packaging unit!

All illustrations are symbolic only and do not claim to be a technically correct match with the hardware components.

The content of this document is constantly being updated, so regular comparison is necessary (please note the date on the back of the document).

The current version is downloadable from www.maco.eu and www.hautau.de.

Further technical documents are available in our Technical Online Catalogue TOM (extranet.maco.eu).

No liabilities are accepted for possible printing errors, mistakes or changes.

©MACO Group 2023 - Distribution and reproduction of this document, utilisation and communication of its contents are prohibited unless expressly permitted. Infringements will result in compensation for damages. All rights reserved.

1.2 Product information

The HS Comfort Drive electric motorised drive is used with sliding and lift & slide elements made of timber, PVC and light metal, as well as combinations of these materials. The drive system can be used to realise sash arrangements in Scheme A and Scheme C. In addition to the electric motorised hardware components, mechanical hardware components such as sliding or lift & slide drives are required. The drive system is also suitable for retrofitting existing sliding and lift & slide elements.

The HS Comfort Drive is equipped with automatic anti-trap protection. If the sliding sash weighs more than 330 kg, additional external safety devices such as a light curtain or an infrared presence detector - both of which can be found in the MACO Group's product range - must be used to ensure safety.

The drive system can be designed in three operating modes: electric motorised sliding, electric motorised lifting and sliding, manual lifting and electric motorised sliding. The following

operating options are available: Operation via 3-button control keypad, 1-button control, key switch and control using smartphones via the WLAN box; full SmartHome integration, such as mediola®, is also applicable.

The MACO Group's sliding and lift & slide hardware can be used to fulfil the requirements for barrier-free construction in accordance with DIN 18040-2. In order to meet the requirements of this standard and regulation, special hardware combinations and installations in the window elements are required, which must be coordinated in individual cases and agreed separately; in addition, any national regulations must be observed for barrier reduction.

The resistance to wind load depends, among other things, on the construction of the window elements. If wind loads in accordance with DIN EN 12210, in particular the test pressure P3, are to be transferred, the window construction, the frame material and the hardware combination must be harmonised.

1.3 Intended use

The HS Comfort Drive electric motorised drive is intended for use in combination with components of manual sliding or lift & slide hardware components to create electric motorised sliding or lift & slide elements. The drives are intended exclusively for use in stationary buildings. They are used for the horizontal opening and closing of windows made of profiles for sliding or lift & slide elements. The window elements must be installed

vertically and horizontally, never at an angle. The application ranges and weights defined in the application diagrams must be adhered to; they must neither be exceeded nor fallen short of. Use of the hardware system outside the application limits is not permitted and will invalidate any warranty and product liability without exception.

1.4 Information on product safety and product liability

The quality and safety of the MACO Group's products are largely guaranteed by proper processing. To ensure this, the fabricator can download product-related documentation in the form of installation instructions and maintenance and operating instructions at www.maco.eu and www.hautau.de. The

installation instructions are an integral part of the product and must therefore be observed and complied with.

Failure to comply with the contents of the information accompanying the product releases the MACO Group, as the product manufacturer, from any liability.

1.5 Storage instructions fittings

Improper storage of the hardware parts can severely impair the surfaces as well as the electronic function. To prevent this, the following points must be observed:

- It must be ensured that the room air is permanently dry (max. 55 % humidity at 20 °C).
- Major temperature fluctuations that lead to the formation of

condensation must be prevented. This is because condensation on the surfaces of the drive components can lead to corrosion and destroy the electronic components.

- Salty air and air polluted by trade/industry leads to corrosion and is unsuitable for storage sites.

1.6 Manufacturer's declaration / State of the art

The electric motorised drives are manufactured and tested in accordance with the applicable European directives.

Corresponding installation declarations are available and can be downloaded from www.maco.eu and www.hautau.de.

1.7 Certificates, guarantees and standards

The Machinery Directive 2006/42/EC applies to electric motorised sliding and lift & slide elements. In addition, country-specific requirements regarding applicable laws, regulations, standards and directives must be observed.

The MACO Group ensures its high quality standard through ongoing, recurring internal product tests and external tests by

reputable, independent institutes. All certificates from the test centres, quality, safety and management systems, our guarantee declarations and the declaration of no objection for all products with regard to hazardous substances (RoHS and RAEC declaration) are available for download at www.maco.eu and www.hautau.de.

1.8 General Terms and Conditions

The current version of our General Terms and Conditions of the MACO Group is available for download at www.maco.eu and www.hautau.de.



Technical and General Information

2 HS Comfort Drive

2.1	HS Comfort Drive	10
2.1.1	HS Comfort Drive concealed arrangement	10
2.1.2	HS Comfort Drive supported arrangement	24
2.1.3	Accessories	38

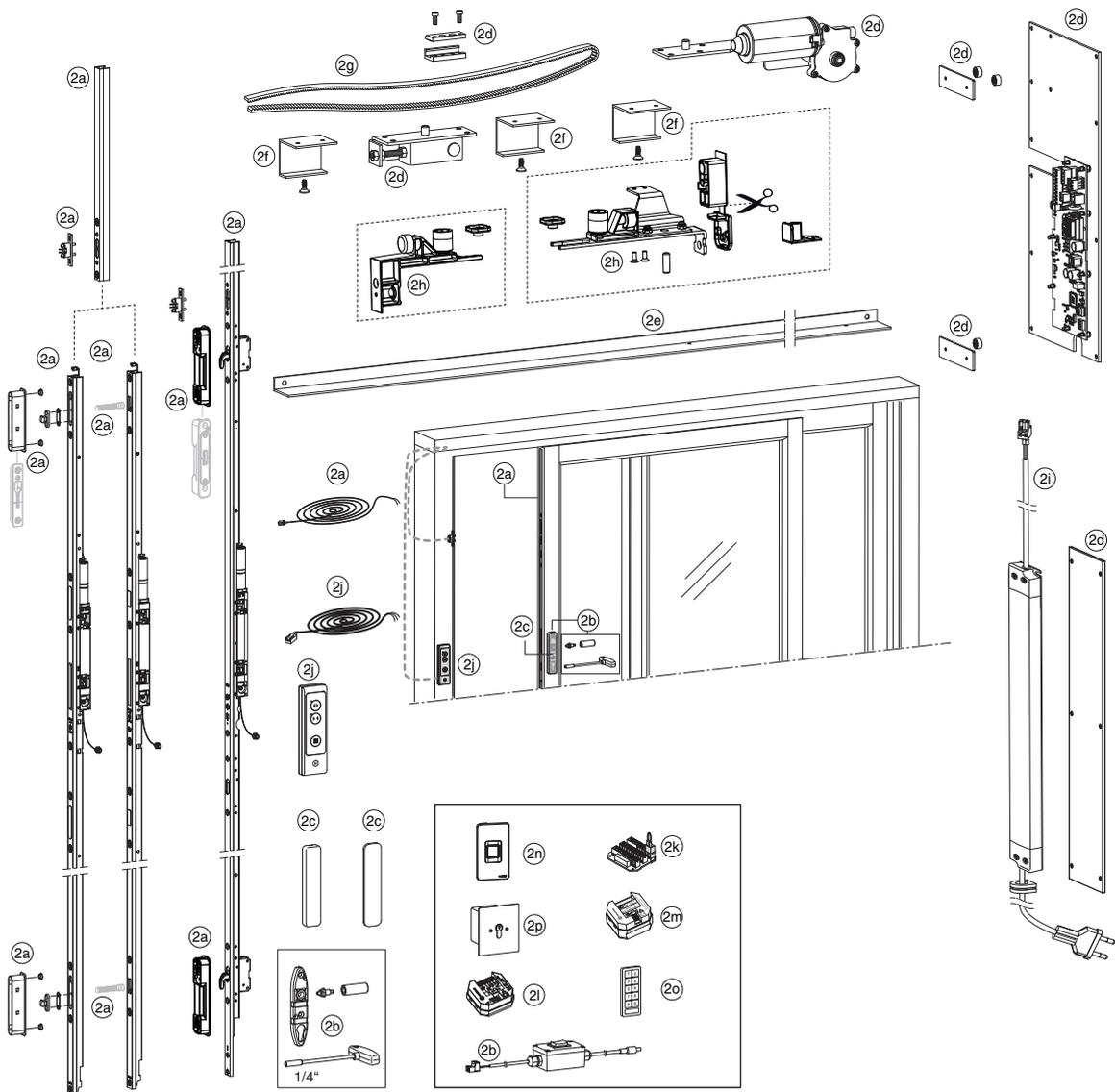
2 HS Comfort Drive

2.1 HS Comfort Drive

2.1.1 HS Comfort Drive concealed arrangement

2.1.1.1 Hardware overviews

2.1.1.1.1 Hardware overview HS Comfort Drive concealed arrangement Scheme A



Selection guide		Page
2a	2.1.1.2.1.HS drive gears with lift drive Comfort Drive up to 440 kg	→18
2b	2.1.1.2.2.Emergency release	→20
2c	2.1.1.2.3.Cover for emergency release	→20
2d	2.1.1.3.1.HS Comfort Drive sliding drive concealead arrangement	→21
2e	2.1.1.3.2.Cover plates	→21
2f	2.1.1.3.3.Accessoires for cover plates	→21
2g	2.1.1.3.4.Toothed belt	→22
2h	2.1.1.3.5.Accessories for upper guide track	→22
2i	2.1.1.3.6.Power supply units	→22
2j	2.1.1.3.7.Control elements	→22
2k	2.1.3.3 Connection box	→39
2l	2.1.3.5 WLAN box	→39
2m	2.1.3.6 Switch box	→40
2n	2.1.3.7 Finger print	→40
2o	2.1.3.8 Code switch	→40
2p	2.1.3.9 Key switch	→40



2.1.1.1.2 Hardware installation HS Comfort Drive concealed arrangement Scheme A

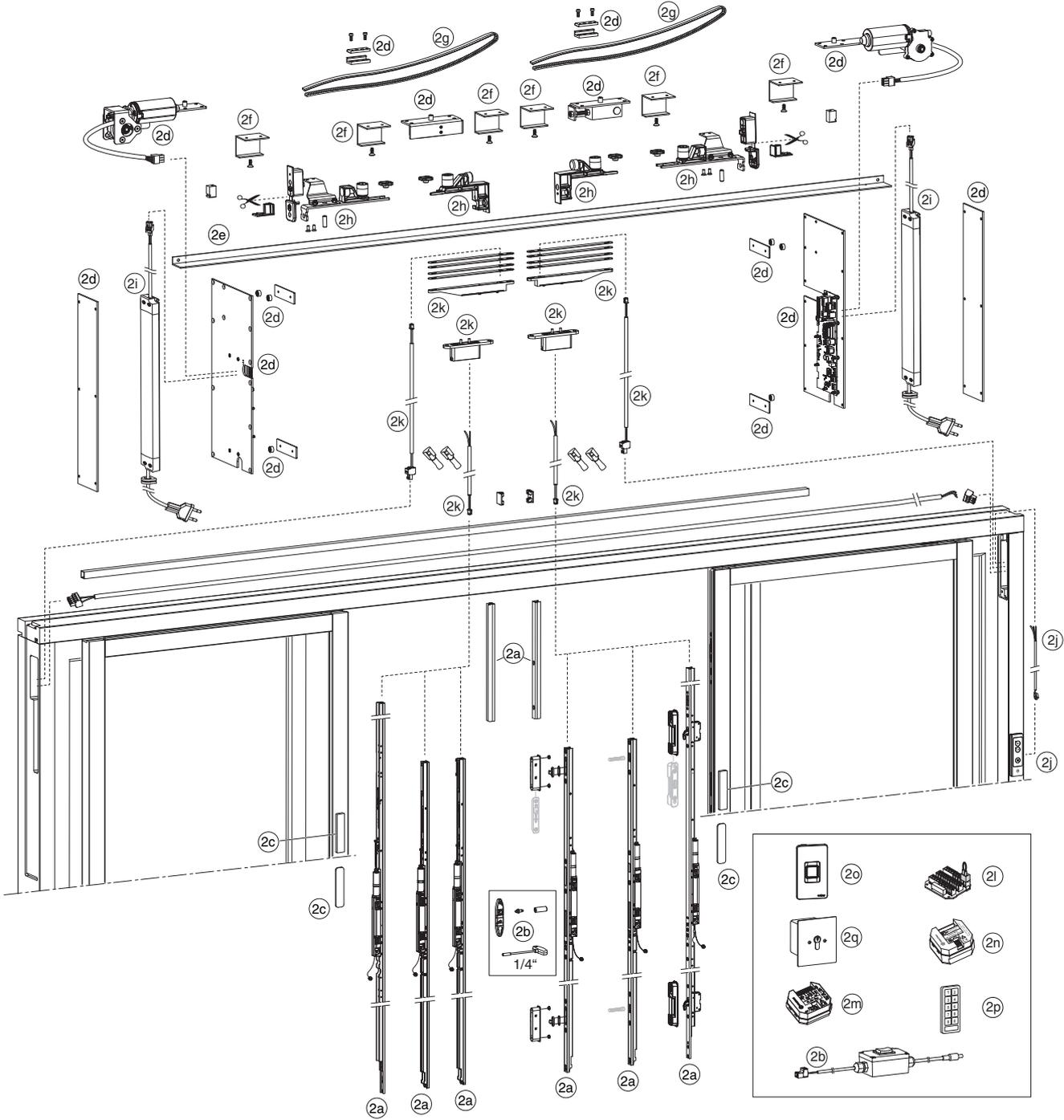
Item designation	Design	stainless steel	traffic white RAL 9016	jet black RAL 9005	white aluminium RAL 9006	blank	F1 silver	Item number			
hook drive gear Scheme A/C D 27.5 440 kg	1835 - 2560 mm							486284	-	-	1
	2270 - 2860 mm							486285	-	-	1
lift drive Scheme A D 27.5 440 kg	1801 - 2100 mm							485285	-	-	1
	2101 - 2400 mm							485286	-	-	1
	2401 - 2700 mm							485287	-	-	1
lift drive Scheme A D 37.5 330 kg	1801 - 2100 mm							485288	-	-	1
	2101 - 2400 mm							485289	-	-	1
	2401 - 2700 mm							485290	-	-	1
lift drive Scheme A D 27.5 440 kg INVISO	1801 - 2100 mm							485291	-	-	1
	2101 - 2400 mm							485292	-	-	1
	2401 - 2700 mm							485293	-	-	1
lift drive Scheme A D 37.5 330 kg INVISO	1801 - 2100 mm							485294	-	-	1
	2101 - 2400 mm							485295	-	-	1
	2401 - 2700 mm							485296	-	-	1
emergency release							485040	-	-	1	
service and start-up switch							305882	-	-	1	
cover emergency release		•	-	-	-	-	-	372343	-	-	1
		-	•	-	-	-	-	485311	-	-	1
		-	-	•	-	-	-	485310	-	-	1
		-	-	-	F9	-	-	485309	-	-	1
		-	-	-	-	•	-	305901	-	-	1
		-	-	-	-	-	•	305900	-	-	1
HS Comfort Drive sliding drive	right							477161	1	1	1
	left							477159	1	1	1
cover plate	2500 mm	-	-	-	•	-	-	477894	1	1	1
	4000 mm	-	-	-	•	-	-	477895	1	1	1
accessories cover plate							477896	1	1	1	
toothed belt	3400 mm							477174	1	1	1
	6500 mm							477175	1	1	1
accessories upper guide track	right							477883	1	1	1
	left							477884	1	1	1
power supply unit covered							477167	1	1	1	
control keypad		-	•	-	-	-	-	477170	1	1	1
		-	-	•	-	-	-	477169	1	1	1
		-	-	-	•	-	-	477168	1	1	1

Drives, connecting rod and locking bolts must be ordered separately and are not included in the listed items.
No fixing material is supplied for the drives and the element.

HS Comfort Drive



2.1.1.1.3 Hardware overview HS Comfort Drive concealed arrangement Scheme C



Selection guide		Page
2a	2.1.1.2.1.HS drive gears with lift drive Comfort Drive up to 440 kg	→18
2b	2.1.1.2.2.Emergency release	→20
2c	2.1.1.2.3.Cover for emergency release	→20
2d	2.1.1.3.1.HS Comfort Drive sliding drive concealead arrangement	→21
2e	2.1.1.3.2.Cover plates	→21
2f	2.1.1.3.3.Accessoires for cover plates	→21
2g	2.1.1.3.4.Toothed belt	→22
2h	2.1.1.3.5.Accessories for upper guide track	→22
2i	2.1.1.3.6.Power supply units	→22
2j	2.1.1.3.7.Control elements	→22
2k	2.1.3.1.1.Basic set current transition	→38
2l	2.1.3.3 Connection box	→39
2m	2.1.3.5 WLAN box	→39
2n	2.1.3.6 Switch box	→40
2o	2.1.3.7 Finger print	→40
2p	2.1.3.8 Code switch	→40
2q	2.1.3.9 Key switch	→40



2.1.1.1.4 Hardware installation HS Comfort Drive concealed arrangement Scheme C

Item designation	Design	stainless steel	traffic white RAL 9016	jet black RAL 9005	white aluminium RAL 9006	blank	F1 silver	Item number	
hook drive gear Scheme A/C D 27.5 440 kg	1835 - 2560 mm							486284	2
	2270 - 2860 mm							486285	2
lift drive Scheme C D 27.5 440 kg	1801 - 2100 mm							485297	2
	2101 - 2400 mm							485298	2
	2401 - 2700 mm							485299	2
lift drive Scheme C D 37.5 330 kg	1801 - 2100 mm							485300	2
	2101 - 2400 mm							485301	2
	2401 - 2700 mm							485302	2
lift drive Scheme C D 27.5 440 kg INVISIO	1801 - 2100 mm							485303	2
	2101 - 2400 mm							485304	2
	2401 - 2700 mm							485305	2
lift drive Scheme C D 37.5 330 kg INVISIO	1801 - 2100 mm							485306	2
	2101 - 2400 mm							485307	2
	2401 - 2700 mm							485308	2
emergency release							485040	1	
service and start-up switch							305882	1	
cover emergency release		•	-	-	-	-	-	372343	2
		-	•	-	-	-	-	485311	2
		-	-	•	-	-	-	485310	2
		-	-	-	F9	-	-	485309	2
		-	-	-	-	•	-	305901	2
		-	-	-	-	-	•	305900	2
HS Comfort Drive sliding drive							305691	1	
power transfer set Scheme C Infinity View Scheme C								305681	2
								486373	2
cover plate	2500 mm	-	-	-	•	-	-	477894	1
	4000 mm	-	-	-	•	-	-	477895	1
accessories cover plate								477896	2
toothed belt	3400 mm							477174	1
	6500 mm							477175	1
accessories upper guide track	right							477883	2
	left							477884	2
power supply unit covered								477167	2
control keypad		-	•	-	-	-	-	477170	1
		-	-	•	-	-	-	477169	1
		-	-	-	•	-	-	477168	1

Drives, connecting rod and locking bolts must be ordered separately and are not included in the listed items.
No fixing material is supplied for the drives and the element.

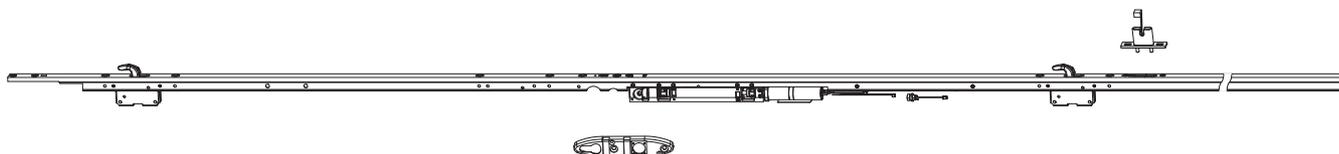
HS Comfort Drive



2.1.1.2 Sash components

2.1.1.2.1 HS Comfort Drive drive gears

486284

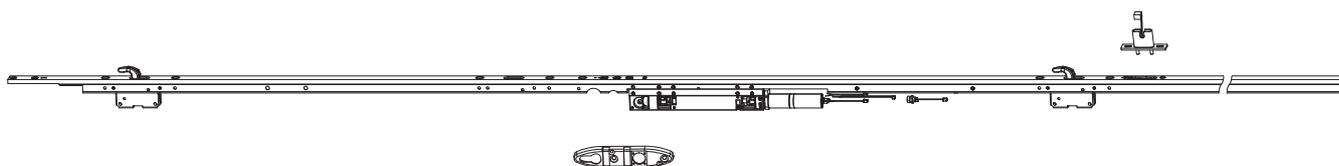


2.1.1.2.1.1 HS drive gears with lift drive Comfort Drive up to 440 kg								L				No
silver	package HS drive gear motor	with power transfer and handle rosette	with 2 hook	27,5	size 4	2	1.835 - 2.560	1.000	2.500	10	1	486284 ^{1,2}
			with 3 hook	27,5	size 5	3	2.270 - 2.860	1.000	2.800	10	1	486285 ^{1,2}

¹ Lift drive only in combination with MACO roller!

² Lift drive with contact delivery, power transfer, supply cable for HS lift drive, handle rosette with fixing screws and sockets.

486690



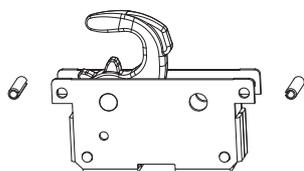
2.1.1.2.1.2 Replacement drive gears with lift drive Comfort Drive up to 330 kg								L				No
silver	package HS drive gear motor	with power transfer and handle rosette	with 2 hook	37,5	size 4	2	1.835 - 2.560	1.000	2.500	10	1	486690 ^{1,2,3}
			with 3 hook	37,5	size 5	3	2.270 - 2.860	1.000	2.800	10	1	486691 ^{1,2,3}

¹ Attention: Different milling pattern for 37.5 drive gears!

² Lift drive only in combination with MACO roller!

³ Lift drive with contact delivery, power transfer, supply cable for HS lift drive, handle rosette with fixing screws and sockets.

486970



2.1.1.2.1.3 Hook case for HS hook drive gear Comfort Drive

silver

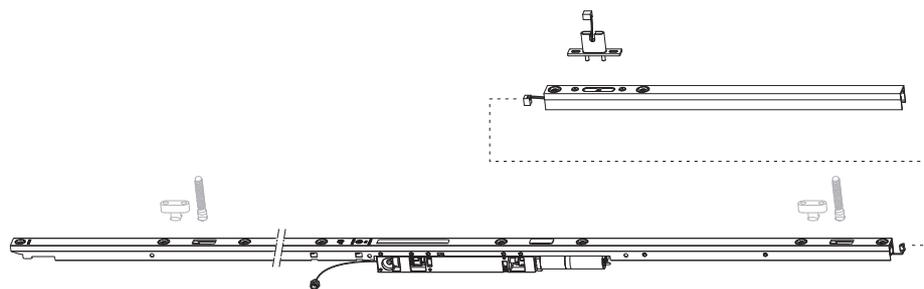


1

No

486970¹

¹ Optional: Additional hook case for drive gear size 4 for RC2 security.



485285

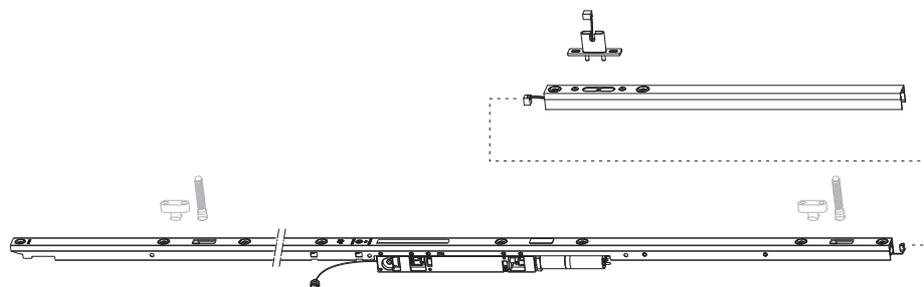


2.1.1.2.1.4 HS lift & slide drive gear lock for bolt with lift drive Comfort Drive							No	
silver	lift drive HS Comfort Drive	27,5	size 210	1.801 - 2.100	1.000	440 kg	1	485285 ^{1,2}
						440 kg Scheme C	1	485297 ^{1,2,3}
			size 240	2.101 - 2.400	1.000	440 kg	1	485286 ^{1,2}
						440 kg Scheme C	1	485298 ^{1,2,3}
			size 270	2.401 - 2.700	1.000	440 kg	1	485287 ^{1,2}
						440 kg Scheme C	1	485299 ^{1,2,3}
		37,5	size 210	1.801 - 2.100	1.000	330 kg	1	485288 ^{1,2}
						330 kg Scheme C	1	485300 ^{1,2,3}
			size 240	2.101 - 2.400	1.000	330 kg	1	485289 ^{1,2}
						330 kg Scheme C	1	485301 ^{1,2,3}
			size 270	2.401 - 2.700	1.000	330 kg	1	485290 ^{1,2}
						330 kg Scheme C	1	485302 ^{1,2,3}

¹ Lift drive only in combination with HAUTAU roller!

² Lift drive with contact delivery, power transfer, supply cable for HS lift drive, handle rosette with fixing screws and sockets.

³ Scheme C does not include power transfer and only a cover profile without circuit board.



485291



2.1.1.2.1.5 HS lift & slide drive gear lock with lift drive Comfort Drive Inviso							No	
silver	lift drive HS Comfort Drive Inviso	27,5	size 210	1.801 - 2.100	1.000	440 kg	1	485291 ^{1,2}
						440 kg Scheme C	1	485303 ^{1,2,3}
			size 240	2.101 - 2.400	1.000	440 kg	1	485292 ^{1,2}
						440 kg Scheme C	1	485304 ^{1,2,3}
			size 270	2.401 - 2.700	1.000	440 kg	1	485293 ^{1,2}
						440 kg Scheme C	1	485305 ^{1,2,3}
		37,5	size 210	1.801 - 2.100	1.000	330 kg	1	485294 ^{1,2}
						330 kg Scheme C	1	485306 ^{1,2,3}
			size 240	2.101 - 2.400	1.000	330 kg	1	485295 ^{1,2}
						330 kg Scheme C	1	485307 ^{1,2,3}
			size 270	2.401 - 2.700	1.000	330 kg	1	485296 ^{1,2}
						330 kg Scheme C	1	485308 ^{1,2,3}

¹ Lift drive only in combination with HAUTAU roller!

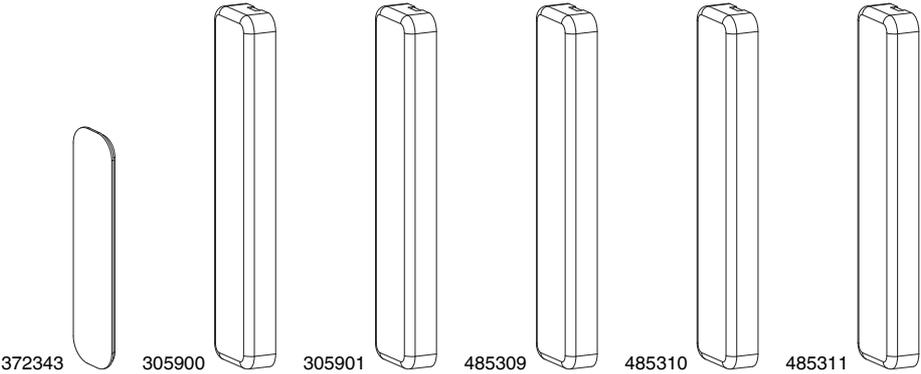
² Lift drive with contact delivery, power transfer, supply cable for HS lift drive, handle rosette with fixing screws and sockets.

³ Scheme C does not include power transfer and only a cover profile without circuit board.



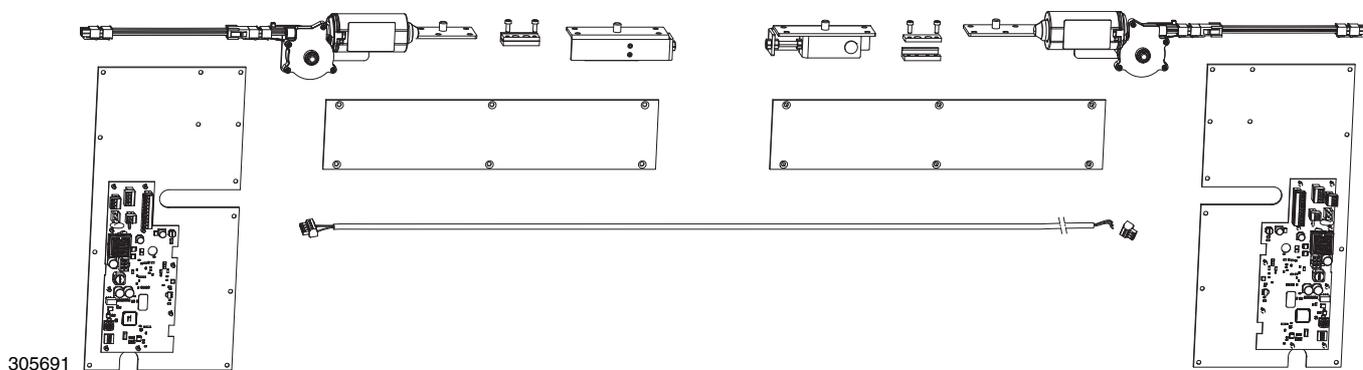
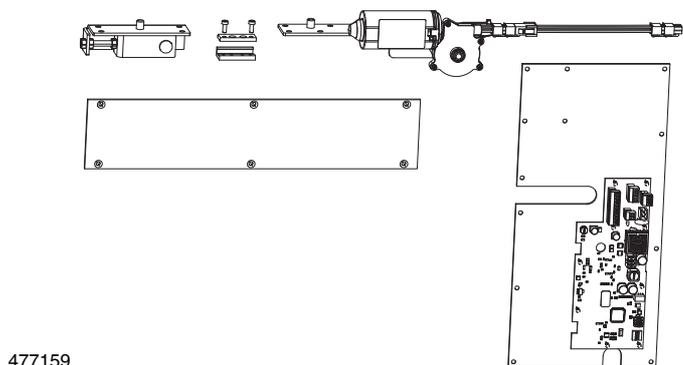
2.1.1.2.2 Emergency release			No
service and start-up switch for HS Comfort Drive		1	305882
emergency release pack for HS Comfort Drive	variant 1	1	485040¹

¹ Gear rim, guide, handle rosette and T-handle.



2.1.1.2.3 Cover for emergency release			No
cover cap emergency release for HS Comfort Drive	stainless steel	1	372343
	silver	1	305900
	blank	1	305901
	white aluminium RAL 9006	1	485309
	black	1	485310
	white	1	485311

2.1.1.3 Frame components



2.1.1.3.1 HS Comfort Drive sliding drive concealed arrangement



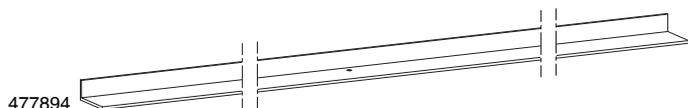
No

HS Comfort drive pack sliding drive	concealed arrangement	Scheme A	right	1	477161 ¹
			left	1	477159 ¹
		Scheme C	left/right	1	305691 ^{2,3}

¹ Drive unit, control electronics, redirection tooth belt, clamping part, circuit board and covers.

² Mandatory accessories: Basic set current transition.

³ Drive unit, control electronics, toothed belt deflection, clamping plate, circuit board, covers and connecting cables Scheme C.



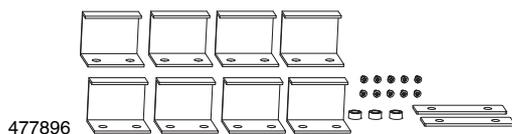
2.1.1.3.2 Cover plates

L



No

alu cover plate for HS Comfort Drive	sliding drive	concealed arrangement	silver	2.500	1	477894
				4.000	1	477895

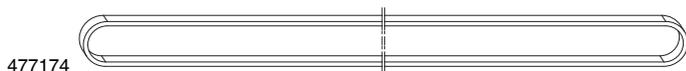


2.1.1.3.3 Accessoires for cover plates



No

accessories pack alu cover plate for HS Comfort Drive	sliding drive	concealed arrangement		1	477896
---	---------------	-----------------------	--	---	--------



477174

2.1.1.3.4 Toothed belt

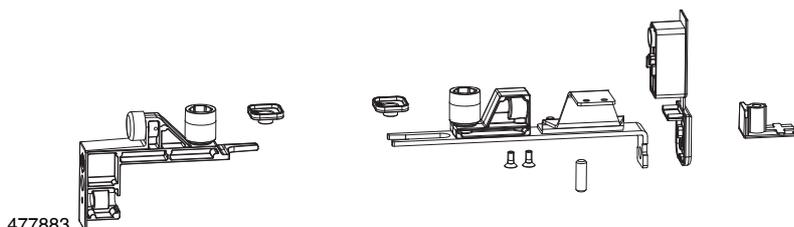
toothed belt for HS Comfort Drive

L



No

3.400	1	477174
6.500	1	477175



477883

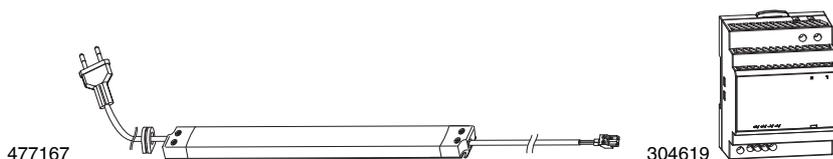
2.1.1.3.5 Accessories for upper guide track

accessories for top guide track flush for HS Comfort Drive concealed arrangement silver



No

right	1	477883
left	1	477884



477167

304619

2.1.1.3.6 Power supply units

power supply unit 24V for HS Comfort Drive

concealed arrangement
for top hat rail installation

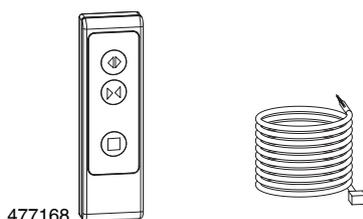


No

	1	477167¹
	1	304619²

¹ Length of power cable 0.35 m, length of connection cable 10 m.

² wireless



477168

2.1.1.3.7 Control elements

control keypad for HS Comfort Drive

silver
black
white



No

silver	1	477168¹
black	1	477169¹
white	1	477170¹

¹ Control keyboard with display for the opening and closing process and for signalling faults 40 x 138 x 18 (W x H x D) 10 m supply cable.

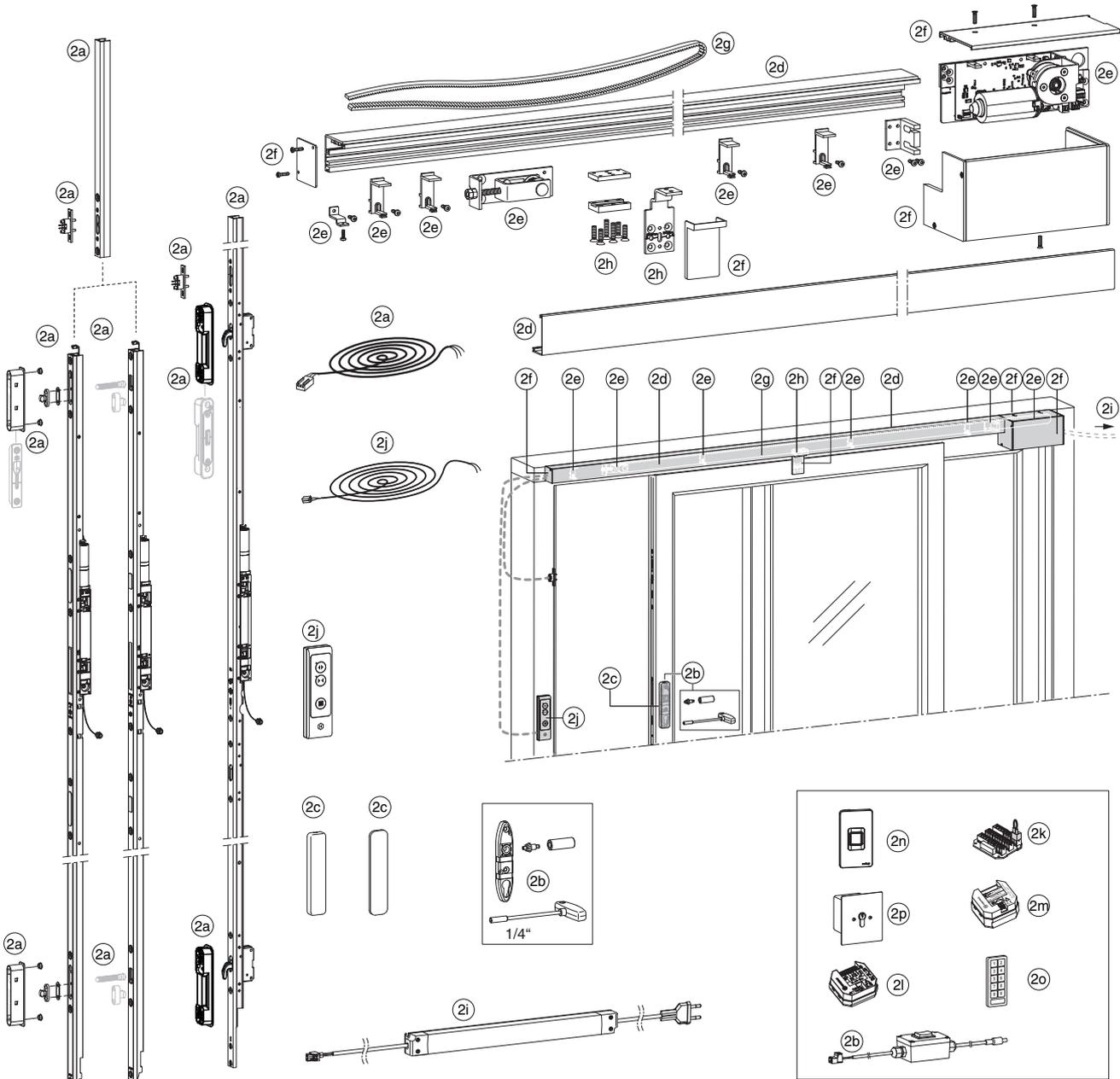
HS Comfort Drive



2.1.2 HS Comfort Drive supported arrangement

2.1.2.1 Hardware overviews

2.1.2.1.1 Hardware overview HS Comfort Drive supported arrangement Scheme A



Selection guide		Page
2a	2.1.2.2.1.HS drive gears with lift drive Comfort Drive up to 440 kg	→32
2b	2.1.2.2.2.Emergency release	→34
2c	2.1.2.2.3.Cover for emergency release	→34
2d	2.1.2.3.1.Profile sets	→35
2e	2.1.2.3.2.HS Comfort Drive sliding drive supported arrangement	→35
2f	2.1.2.3.3.Covers	→36
2g	2.1.2.3.4.Toothed belt	→36
2h	2.1.2.3.5.Drive pin for HS Comfort Drive sliding drive	→36
2i	2.1.2.3.6.Power supply units	→37
2j	2.1.2.3.7.Control elements	→37
2k	2.1.3.3 Connection box	→39
2l	2.1.3.5 WLAN box	→39
2m	2.1.3.6 Switch box	→40
2n	2.1.3.7 Finger print	→40
2o	2.1.3.8 Code switch	→40
2p	2.1.3.9 Key switch	→40



2.1.2.1.2 Hardware installation HS Comfort Drive supported arrangement Scheme A

Item designation	Design	stainless steel	traffic white RAL 9016	jet black RAL 9005	white aluminium RAL 9006	blank	F1 silver	Item number			
hook drive gear Scheme A/C D 27.5 440 kg	1835 - 2560 mm							486284	-	-	1
	2270 - 2860 mm							486285	-	-	1
lift drive Scheme A D 27.5 440 kg	1801 - 2100 mm							485285	-	-	1
	2101 - 2400 mm							485286	-	-	1
	2401 - 2700 mm							485287	-	-	1
lift drive Scheme A D 37.5 330 kg	1801 - 2100 mm							485288	-	-	1
	2101 - 2400 mm							485289	-	-	1
	2401 - 2700 mm							485290	-	-	1
lift drive Scheme A D 27.5 440 kg INVISO	1801 - 2100 mm							485291	-	-	1
	2101 - 2400 mm							485292	-	-	1
	2401 - 2700 mm							485293	-	-	1
lift drive Scheme A D 37.5 330 kg INVISO	1801 - 2100 mm							485294	-	-	1
	2101 - 2400 mm							485295	-	-	1
	2401 - 2700 mm							485296	-	-	1
emergency release							485040	-	-	1	
service and start-up switch							305882	-	-	1	
cover emergency release		•	-	-	-	-	-	372343	-	-	1
		-	•	-	-	-	-	485311	-	-	1
		-	-	•	-	-	-	485310	-	-	1
		-	-	-	F9	-	-	485309	-	-	1
		-	-	-	-	•	-	305901	-	-	1
		-	-	-	-	-	•	305900	-	-	1
profile set for HS Comfort Drive	3400 mm	-	•	-	-	-	-	477518	1	1	1
		-	-	•	-	-	-	477520	1	1	1
		-	-	-	•	-	-	477516	1	1	1
		-	-	-	-	•	-	477514	1	1	1
	6500 mm	-	•	-	-	-	-	477519	1	1	1
		-	-	•	-	-	-	477521	1	1	1
		-	-	-	•	-	-	477517	1	1	1
		-	-	-	-	•	-	477515	1	1	1
HS Comfort Drive sliding drive	right							477504	1	1	1
	left							477505	1	1	1

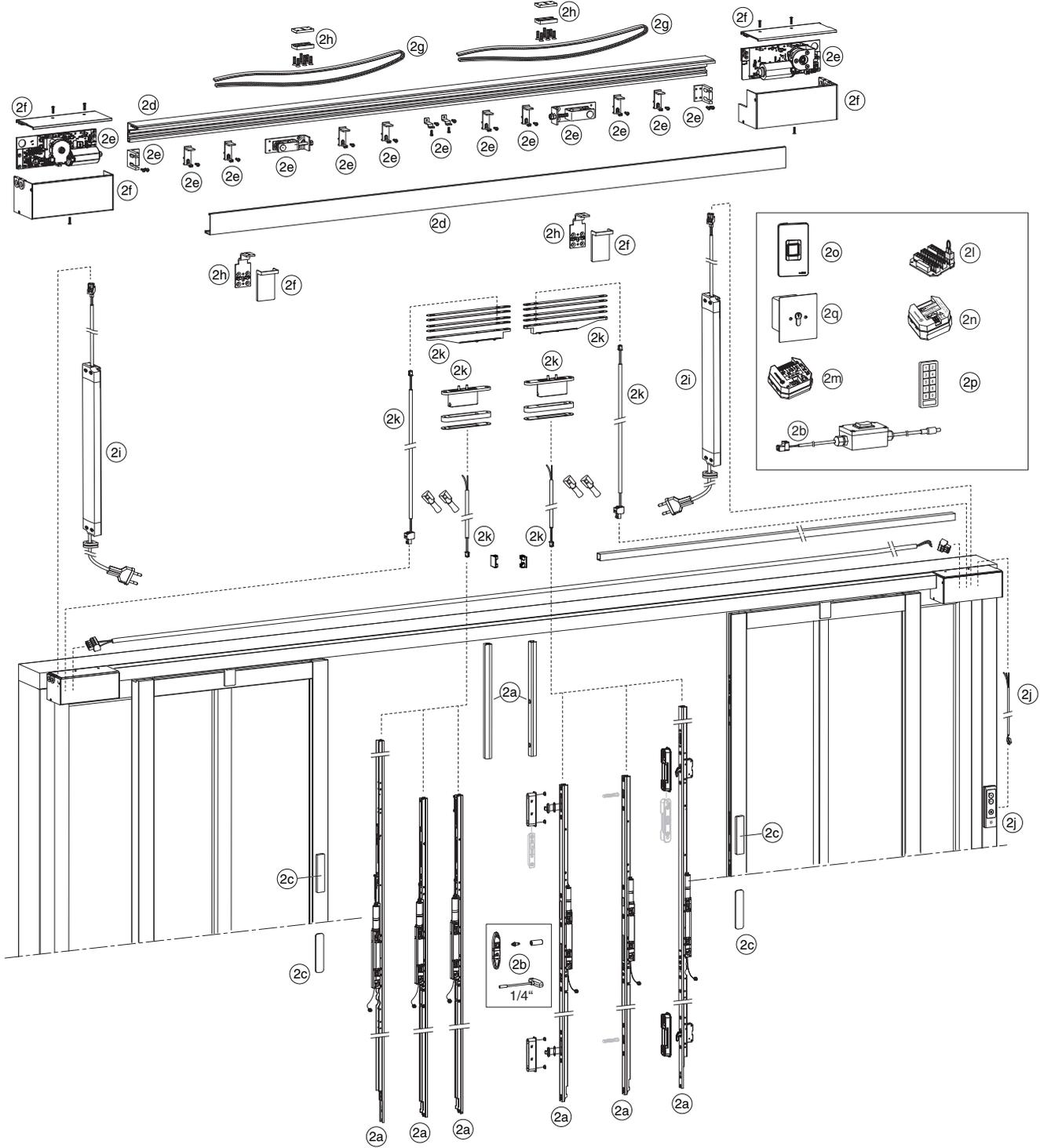
2.1.2.1.3 Hardware installation HS Comfort Drive supported arrangement Scheme A

Item designation	Design	stainless steel	traffic white RAL 9016	jet black RAL 9005	white aluminium RAL 9006	blank	F1 silver	Item number	Diagram		
											
covers for HS Comfort Drive	right	-	•	-	-	-	-	477511	1	1	1
		-	-	•	-	-	-	477513	1	1	1
		-	-	-	•	-	-	477509	1	1	1
		-	-	-	-	•	-	477507	1	1	1
	left	-	•	-	-	-	-	477510	1	1	1
		-	-	•	-	-	-	477512	1	1	1
		-	-	-	•	-	-	477508	1	1	1
		-	-	-	-	•	-	477506	1	1	1
toothed belt	3400 mm							477174	1	1	1
	6500 mm							477175	1	1	1
drive pin	size 1: 0-2 mm							477522	1	1	1
	size 2: 3-5 mm							477523	1	1	1
	size 3: 6-8 mm							477524	1	1	1
	size 4: 10-12 mm							477525	1	1	1
	size 5: 13-15 mm							477526	1	1	1
power supply unit supported arrangement							304267	1	1	1	
control keypad		-	•	-	-	-	-	477170	1	1	1
		-	-	•	-	-	-	477169	1	1	1
		-	-	-	•	-	-	477168	1	1	1

Drives, connecting rod and locking bolts must be ordered separately and are not included in the listed items.
No fixing material is supplied for the drives and the element.



2.1.2.1.4 Hardware overview HS Comfort Drive supported arrangement Scheme C



Selection guide		Page
2a	2.1.2.2.1HS drive gears with lift drive Comfort Drive up to 440 kg	→32
2b	2.1.2.2.2Emergency release	→34
2c	2.1.2.2.3Cover for emergency release	→34
2d	2.1.2.3.1Profile sets	→35
2e	2.1.2.3.2HS Comfort Drive sliding drive supported arrangement	→35
2f	2.1.2.3.3Covers	→36
2g	2.1.2.3.4Toothed belt	→36
2h	2.1.2.3.5Drive pin for HS Comfort Drive sliding drive	→36
2i	2.1.2.3.6Power supply units	→37
2j	2.1.2.3.7Control elements	→37
2k	2.1.3.1.1Basic set current transition	→38
2l	2.1.3.3 Connection box	→39
2m	2.1.3.5 WLAN box	→39
2n	2.1.3.6 Switch box	→40
2o	2.1.3.7 Finger print	→40
2p	2.1.3.8 Code switch	→40
2q	2.1.3.9 Key switch	→40



2.1.2.1.5 Hardware installation HS Comfort Drive supported arrangement Scheme C

Item designation	Design	stainless steel	traffic white RAL 9016	jet black RAL 9005	white aluminium RAL 9006	blank	F1 silver	Item number	
hook drive gear Scheme A/C D 27.5 440 kg	1835 - 2560 mm							486284	2
	2270 - 2860 mm							486285	2
lift drive Scheme C D 27.5 440 kg	1801 - 2100 mm							485297	2
	2101 - 2400 mm							485298	2
	2401 - 2700 mm							485299	2
lift drive Scheme C D 37.5 330 kg	1801 - 2100 mm							485300	2
	2101 - 2400 mm							485301	2
	2401 - 2700 mm							485302	2
lift drive Scheme C D 27.5 440 kg INVISIO	1801 - 2100 mm							485303	2
	2101 - 2400 mm							485304	2
	2401 - 2700 mm							485305	2
lift drive Scheme C D 37.5 330 kg INVISIO	1801 - 2100 mm							485306	2
	2101 - 2400 mm							485307	2
	2401 - 2700 mm							485308	2
emergency release							485040	1	
service and start-up switch							305882	1	
cover emergency release		•	-	-	-	-	-	372343	2
		-	•	-	-	-	-	485311	2
		-	-	•	-	-	-	485310	2
		-	-	-	F9	-	-	485309	2
		-	-	-	-	•	-	305901	2
		-	-	-	-	-	•	305900	2
profile set for HS Comfort Drive	3400 mm	-	•	-	-	-	-	477518	1
		-	-	•	-	-	-	477520	1
		-	-	-	•	-	-	477516	1
		-	-	-	-	•	-	477514	1
	6500 mm	-	•	-	-	-	-	477519	1
		-	-	•	-	-	-	477521	1
		-	-	-	•	-	-	477517	1
		-	-	-	-	•	-	477515	1
HS Comfort Drive sliding drive							305692	1	
power transfer set Scheme C Infinity View Scheme C	profile enquiry on request							305681	2
								486373	2

2.1.2.1.6 Hardware installation HS Comfort Drive supported arrangement Scheme C

Item designation	Design	stainless steel	traffic white RAL 9016	jet black RAL 9005	white aluminium RAL 9006	blank	F1 silver	Item number	
covers for HS Comfort Drive	right	-	•	-	-	-	-	477511	l/r
		-	-	•	-	-	-	477513	l/r
		-	-	-	•	-	-	477509	l/r
		-	-	-	-	•	-	477507	l/r
	left	-	•	-	-	-	-	477510	l/r
		-	-	•	-	-	-	477512	l/r
		-	-	-	•	-	-	477508	l/r
		-	-	-	-	•	-	477506	l/r
toothed belt	3400 mm							477174	1
	6500 mm							477175	1
drive pin	size 1: 0-2 mm							477522	2
	size 2: 3-5 mm							477523	2
	size 3: 6-8 mm							477524	2
	size 4: 10-12 mm							477525	2
	size 5: 13-15 mm							477526	2
power supply unit supported arrangement							304267	2	
control keypad		-	•	-	-	-	-	477170	1
		-	-	•	-	-	-	477169	1
		-	-	-	•	-	-	477168	1

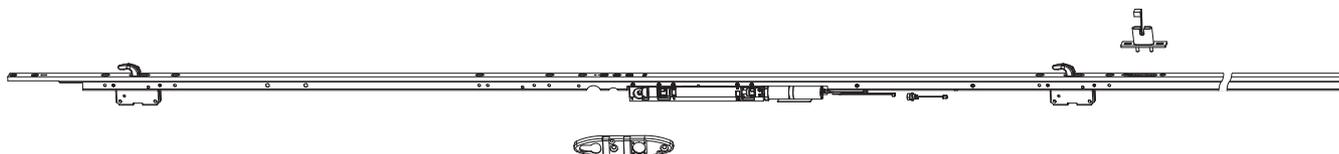
Drives, connecting rod and locking bolts must be ordered separately and are not included in the listed items.
No fixing material is supplied for the drives and the element.



2.1.2.2 Sash components

2.1.2.2.1 HS Comfort Drive drive gears

486284

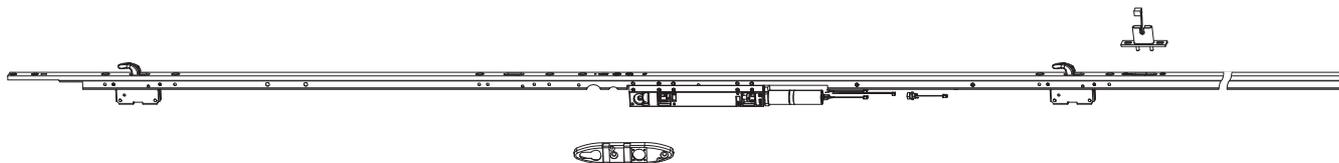


2.1.2.2.1.1 HS drive gears with lift drive Comfort Drive up to 440 kg									L				No
silver	package HS drive gear motor	with power transfer and handle rosette	with 2 hook	27,5	size 4	2	1.835 - 2.560	1.000	2.500	10	1		486284 ^{1,2}
			with 3 hook	27,5	size 5	3	2.270 - 2.860	1.000	2.800	10	1		486285 ^{1,2}

¹ Lift drive only in combination with MACO roller!

² Lift drive with contact delivery, power transfer, supply cable for HS lift drive, handle rosette with fixing screws and sockets.

486690

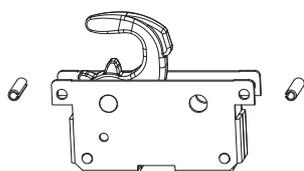


2.1.2.2.1.2 Replacement drive gears with lift drive Comfort Drive up to 330 kg									L				No
silver	package HS drive gear motor	with power transfer and handle rosette	with 2 hook	37,5	size 4	2	1.835 - 2.560	1.000	2.500	10	1		486690 ^{1,2,3}
			with 3 hook	37,5	size 5	3	2.270 - 2.860	1.000	2.800	10	1		486691 ^{1,2,3}

¹ Attention: Different milling pattern for 37.5 drive gears!

² Lift drive only in combination with MACO roller!

³ Lift drive with contact delivery, power transfer, supply cable for HS lift drive, handle rosette with fixing screws and sockets.

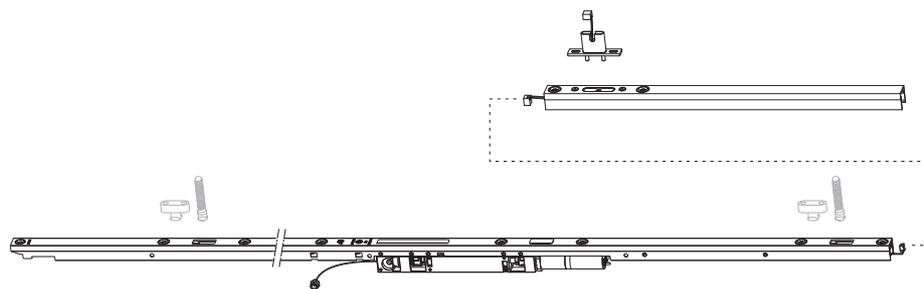


486970

2.1.2.2.1.3 Hook case for HS hook drive gear Comfort Drive

silver													No
												1	486970 ¹

¹ Optional: Additional hook case for drive gear size 4 for RC2 security.



485285

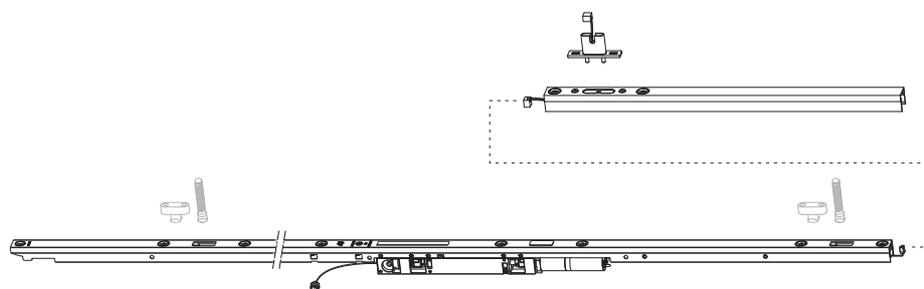


2.1.2.2.1.4 HS lift & slide drive gear lock for bolt with lift drive Comfort Drive							No	
silver	lift drive HS Comfort Drive	27,5	size 210	1.801 - 2.100	1.000	440 kg	1	485285 ^{1,2}
						440 kg Scheme C	1	485297 ^{1,2,3}
			size 240	2.101 - 2.400	1.000	440 kg	1	485286 ^{1,2}
						440 kg Scheme C	1	485298 ^{1,2,3}
			size 270	2.401 - 2.700	1.000	440 kg	1	485287 ^{1,2}
						440 kg Scheme C	1	485299 ^{1,2,3}
		37,5	size 210	1.801 - 2.100	1.000	330 kg	1	485288 ^{1,2}
						330 kg Scheme C	1	485300 ^{1,2,3}
			size 240	2.101 - 2.400	1.000	330 kg	1	485289 ^{1,2}
						330 kg Scheme C	1	485301 ^{1,2,3}
			size 270	2.401 - 2.700	1.000	330 kg	1	485290 ^{1,2}
						330 kg Scheme C	1	485302 ^{1,2,3}

¹ Lift drive only in combination with HAUTAU roller!

² Lift drive with contact delivery, power transfer, supply cable for HS lift drive, handle rosette with fixing screws and sockets.

³ Scheme C does not include power transfer and only a cover profile without circuit board.



485291

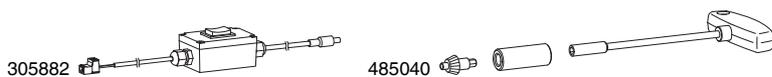


2.1.2.2.1.5 HS lift & slide drive gear lock with lift drive Comfort Drive Inviso							No	
silver	lift drive HS Comfort Drive Inviso	27,5	size 210	1.801 - 2.100	1.000	440 kg	1	485291 ^{1,2}
						440 kg Scheme C	1	485303 ^{1,2,3}
			size 240	2.101 - 2.400	1.000	440 kg	1	485292 ^{1,2}
						440 kg Scheme C	1	485304 ^{1,2,3}
			size 270	2.401 - 2.700	1.000	440 kg	1	485293 ^{1,2}
						440 kg Scheme C	1	485305 ^{1,2,3}
		37,5	size 210	1.801 - 2.100	1.000	330 kg	1	485294 ^{1,2}
						330 kg Scheme C	1	485306 ^{1,2,3}
			size 240	2.101 - 2.400	1.000	330 kg	1	485295 ^{1,2}
						330 kg Scheme C	1	485307 ^{1,2,3}
			size 270	2.401 - 2.700	1.000	330 kg	1	485296 ^{1,2}
						330 kg Scheme C	1	485308 ^{1,2,3}

¹ Lift drive only in combination with HAUTAU roller!

² Lift drive with contact delivery, power transfer, supply cable for HS lift drive, handle rosette with fixing screws and sockets.

³ Scheme C does not include power transfer and only a cover profile without circuit board.



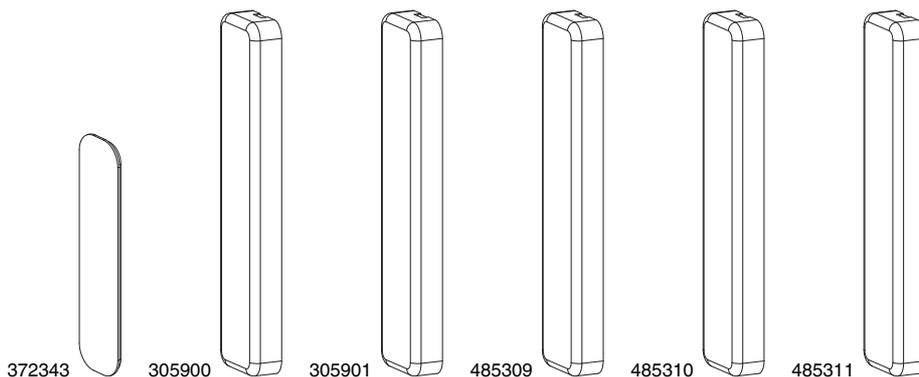
2.1.2.2.2 Emergency release



No

service and start-up switch for HS Comfort Drive		1	305882
emergency release pack for HS Comfort Drive	variant 1	1	485040¹

¹ Gear rim, guide, handle rosette and T-handle.



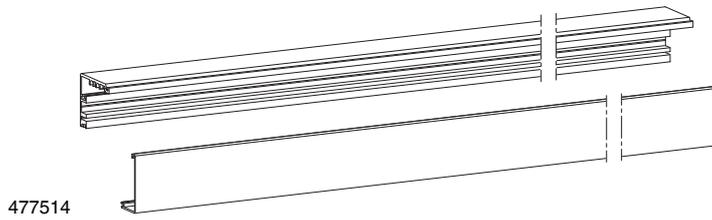
2.1.2.2.3 Cover for emergency release



No

cover cap emergency release for HS Comfort Drive	stainless steel	1	372343
	silver	1	305900
	blank	1	305901
	white aluminium RAL 9006	1	485309
	black	1	485310
	white	1	485311

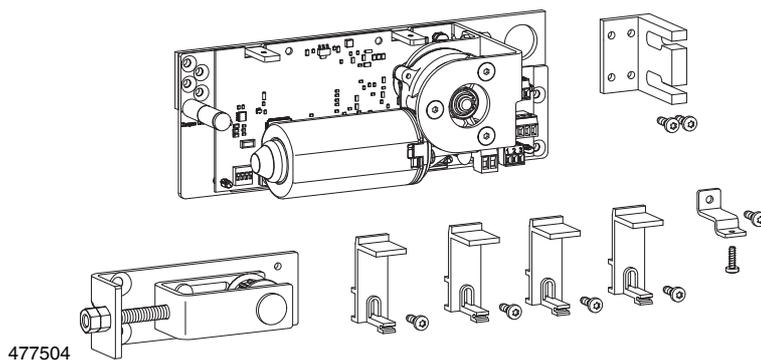
2.1.2.3 Frame components



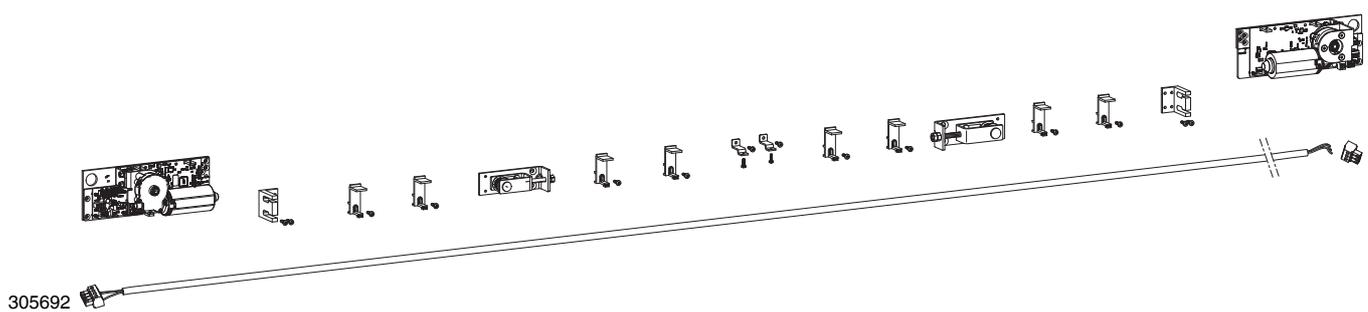
2.1.2.3.1 Profile sets

				L		No
profile set for HS Comfort Drive	sliding drive	supported arrangement	blank	3.248	1	477514¹
				6.500	1	477515¹
			silver	3.248	1	477516¹
				6.500	1	477517¹
			white	3.248	1	477518¹
				6.500	1	477519¹
			black	3.248	1	477520¹
				6.500	1	477521¹

¹ Extruded profile with cover profile.



477504



305692

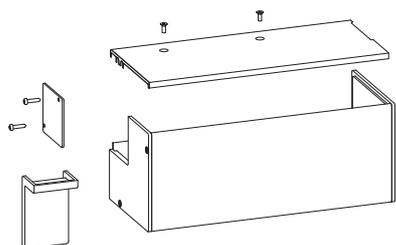
2.1.2.3.2 HS Comfort Drive sliding drive supported arrangement

					No
HS Comfort drive pack sliding drive	supported arrangement	Scheme A	right	1	477504¹
			left	1	477505¹
			Scheme C	1	305692^{2,3}

¹ Drive unit, control electronics, redirection tooth belt and supported parts for the cover profile.

² Mandatory accessories: Basic set current transition.

³ Drive unit, control electronics, toothed belt deflection, support parts for the cover profile and connecting cable Scheme C.



477506

2.1.2.3.3 Covers



No

pack of covers for HS Comfort Drive	sliding drive	supported arrangement	color	side	quantity	No
			blank	right	1	477507 ¹
			silver	right	1	477509 ¹
			white	right	1	477511 ¹
			black	right	1	477513 ¹
			blank	left	1	477506 ¹
			silver	left	1	477508 ¹
			white	left	1	477510 ¹
			black	left	1	477512 ¹

¹ Cover drive unit, cover drive pin, end cap and cover drive module.



477174

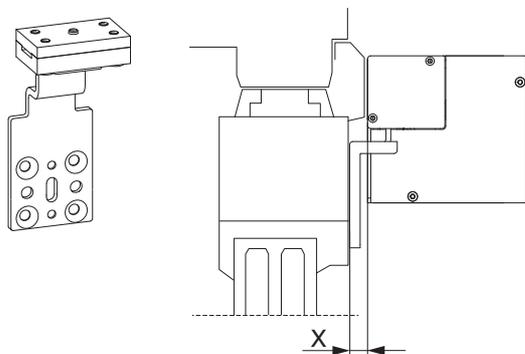
2.1.2.3.4 Toothed belt

L



No

toothed belt for HS Comfort Drive	length	quantity	No
	3.400	1	477174
	6.500	1	477175



477522

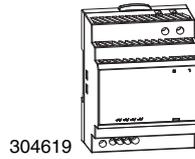
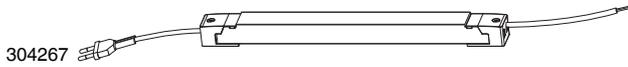
2.1.2.3.5 Drive pin for HS Comfort Drive sliding drive

X



No

drive pin for HS Comfort Drive	sliding drive	supported arrangement	range	quantity	No
			0 - 2	1	477522
			3 - 5	1	477523
			6 - 8	1	477524
			10 - 12	1	477525
			13 - 15	1	477526



2.1.2.3.6 Power supply units

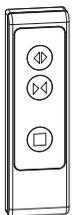


No

power supply unit 24V for HS Comfort Drive	supported arrangement	1	304267¹
	for top hat rail installation	1	304619²

¹ Length of power cable 5 m, length of connection cable 10 m.

² wireless



477168

2.1.2.3.7 Control elements



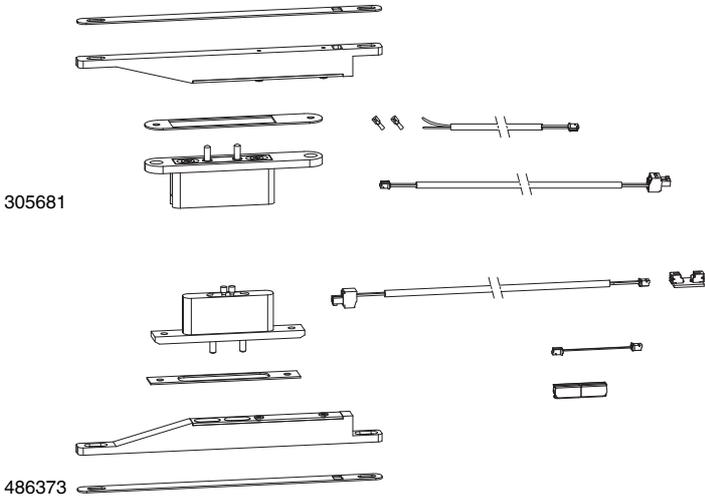
No

control keypad for HS Comfort Drive	silver	1	477168¹
	black	1	477169¹
	white	1	477170¹

¹ Control keyboard with display for the opening and closing process and for signalling faults 40 x 138 x 18 (W x H x D) 10 m supply cable.

2.1.3 Accessories

2.1.3.1 Scheme C



2.1.3.1.1 Basic set current transition					N^o	
packing current transition for HS Comfort Drive	Infinity View	concealed arrangement	Scheme C	black	1	305681¹
			Scheme C	black	1	486373
Further items on request or overview at www.hautau.de .						

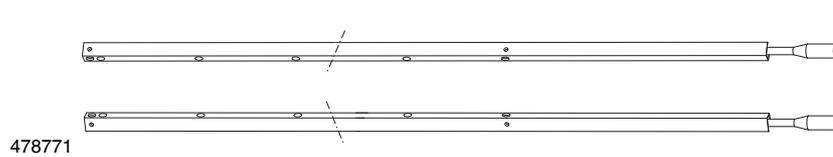
¹ PVC and aluminium: System-dependent.



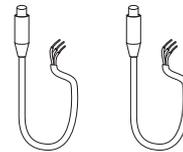
2.1.3.1.2 Accessories for Scheme C					N^o	
pack of packers B13 H10 for current transition			Scheme C		1	305684¹

¹ PVC and aluminium: System-dependent.

2.1.3.2 Safety equipment



478771



2.1.3.2.1 Light curtain

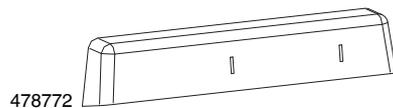


No

light curtain for HS Comfort Drive

1

478771



478772

2.1.3.2.2 Presence sensor

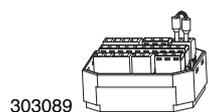


No

presence sensor for HS Comfort Drive

1

478772



303089

2.1.3.3 Connection box

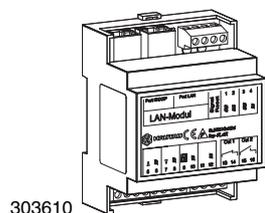


No

connection box for HS Comfort Drive

1

303089



303610

2.1.3.4 LAN module



No

LAN module for HS Comfort Drive

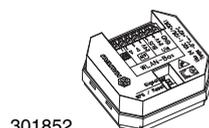
1

303610

power supply unit for LAN module for HS Comfort Drive

1

303664



301852

2.1.3.5 WLAN box



No

WLAN box for HS Comfort Drive

1

301852



304433

2.1.3.6 Switch box

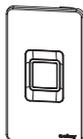


N₀

switch box for HS Comfort Drive

1

304433



480489

2.1.3.7 Finger print



N₀

openDoor Touchkey dLine

1

480489



476515

2.1.3.8 Code switch

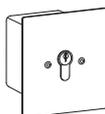


N₀

openDoor Keypad

1

476515



478770

2.1.3.9 Key switch



N₀

key switch for HS Comfort Drive

1

478770¹

¹ Without profile half cylinder.

3 Directory

№  **_ Page**
3

301852	1	39
303089	1	39
303610	1	39
304267	1	37
304433	1	40
304619	1	22,37
305681	1	38
305684	1	38
305691	1	21
305692	1	35
305882	1	20,34
305900	1	20,34
305901	1	20,34
372343	1	20,34

№  **_ Page**

486690	1	18,32
486691	1	18,32
486970	1	18,32

4

476515	1	40
477159	1	21
477161	1	21
477167	1	22
477168	1	22,37
477169	1	22,37
477170	1	22,37
477174	1	22,36
477175	1	22,36
477504	1	35
477505	1	35
477506	1	36
477507	1	36
477508	1	36
477509	1	36
477510	1	36
477511	1	36
477512	1	36
477513	1	36
477514	1	35
477515	1	35
477516	1	35
477517	1	35
477518	1	35
477519	1	35
477520	1	35
477521	1	35
477522	1	36
477523	1	36
477524	1	36
477525	1	36
477526	1	36
477883	1	22
477884	1	22
477894	1	21
477895	1	21
477896	1	21
478770	1	40
478771	1	39
478772	1	39
480489	1	40
485040	1	20,34
485285	1	19,33
485286	1	19,33
485287	1	19,33
485288	1	19,33
485289	1	19,33
485290	1	19,33
485291	1	19,33
485292	1	19,33
485293	1	19,33
485294	1	19,33
485295	1	19,33
485296	1	19,33
485297	1	19,33
485298	1	19,33
485299	1	19,33
485300	1	19,33
485301	1	19,33
485302	1	19,33
485303	1	19,33
485304	1	19,33
485305	1	19,33
485306	1	19,33
485307	1	19,33
485308	1	19,33
485309	1	20,34
485310	1	20,34
485311	1	20,34
486284	1	18,32
486285	1	18,32
486373	1	38

You want everything from a single source?

HAUTAU, a specialist in sliding products, is part of the MACO Group. We provide you with complete solutions for sliding doors, windows and doors – for timber, PVC and aluminium. Experience our versatile system offer, comprehensive service included. Discover more on www.maco.eu and www.hautau.de or contact your customer advisor.



HAUTAU near you:
www.hautau.de/contact



This print document is revised regularly.
The latest version is available at <https://www.maco.eu/assets/759913> and <https://www.hautau.de/downloads> or by scanning the QR code.

Created: 04/2024
WEEE-Reg.-No. DE 83156480, Order No. 759913
All rights and amendments reserved.